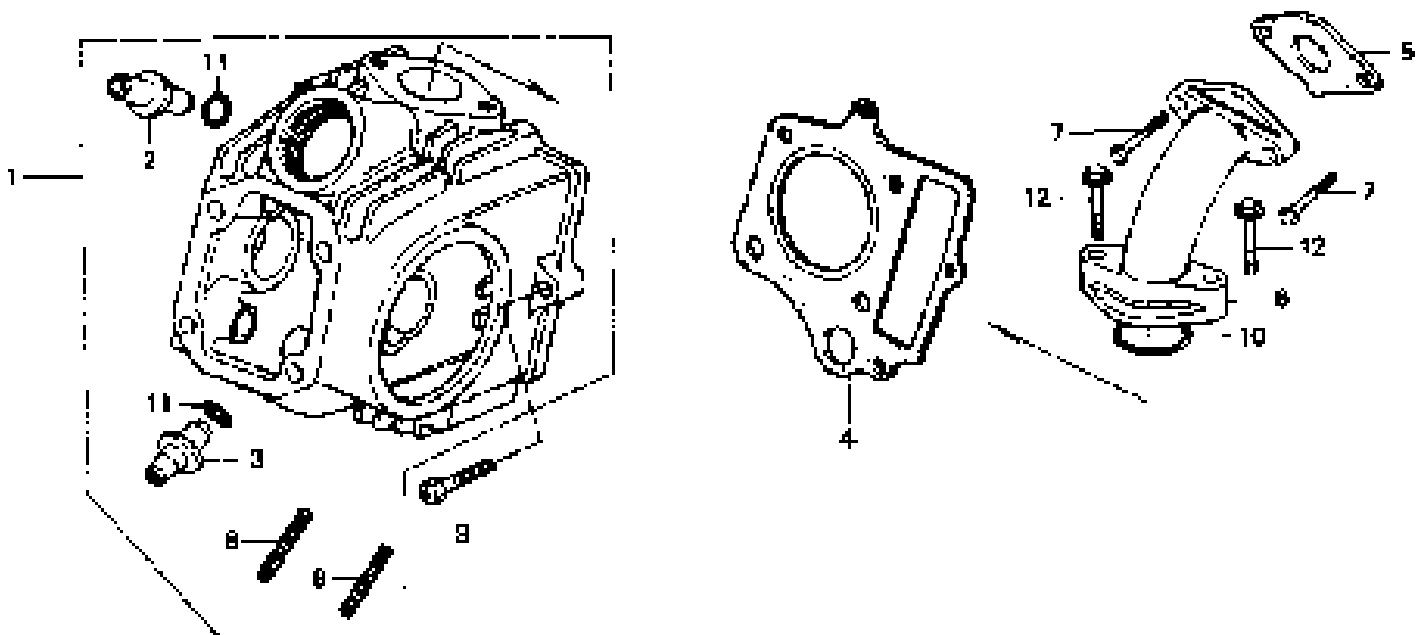
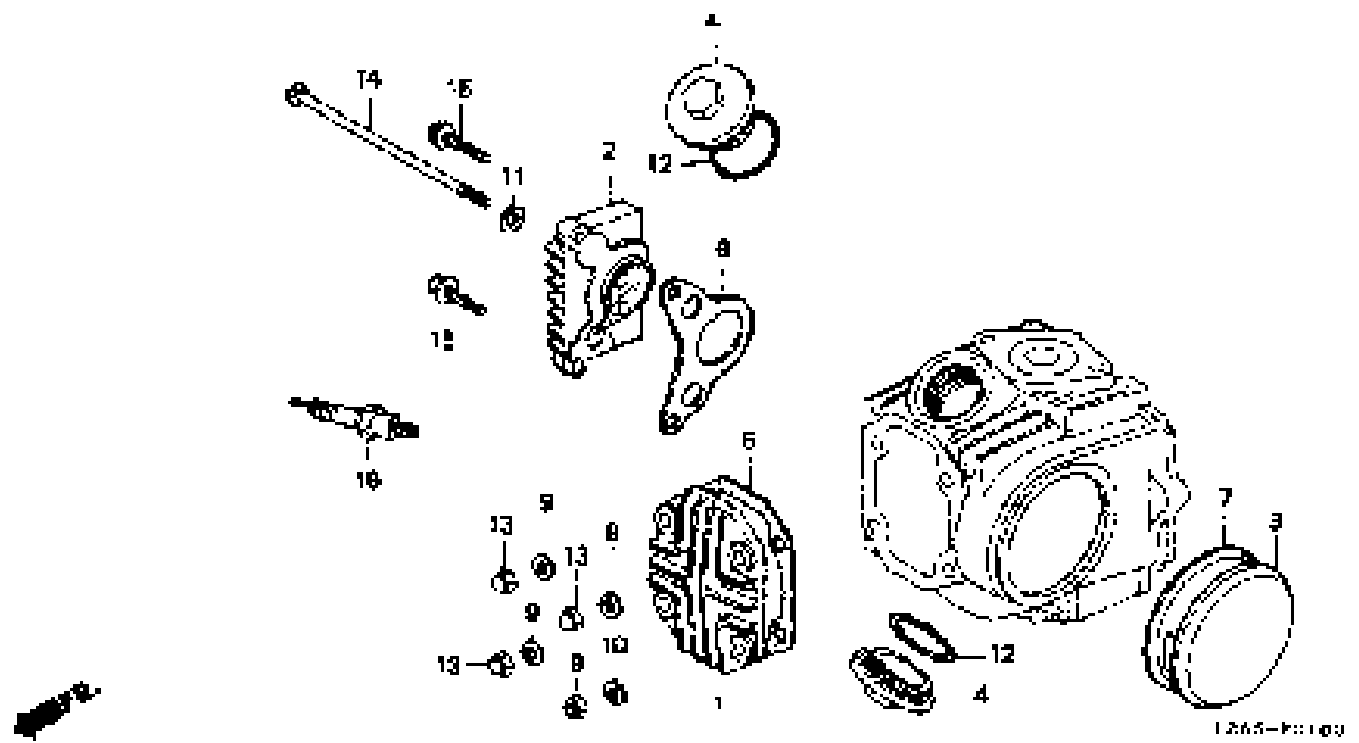
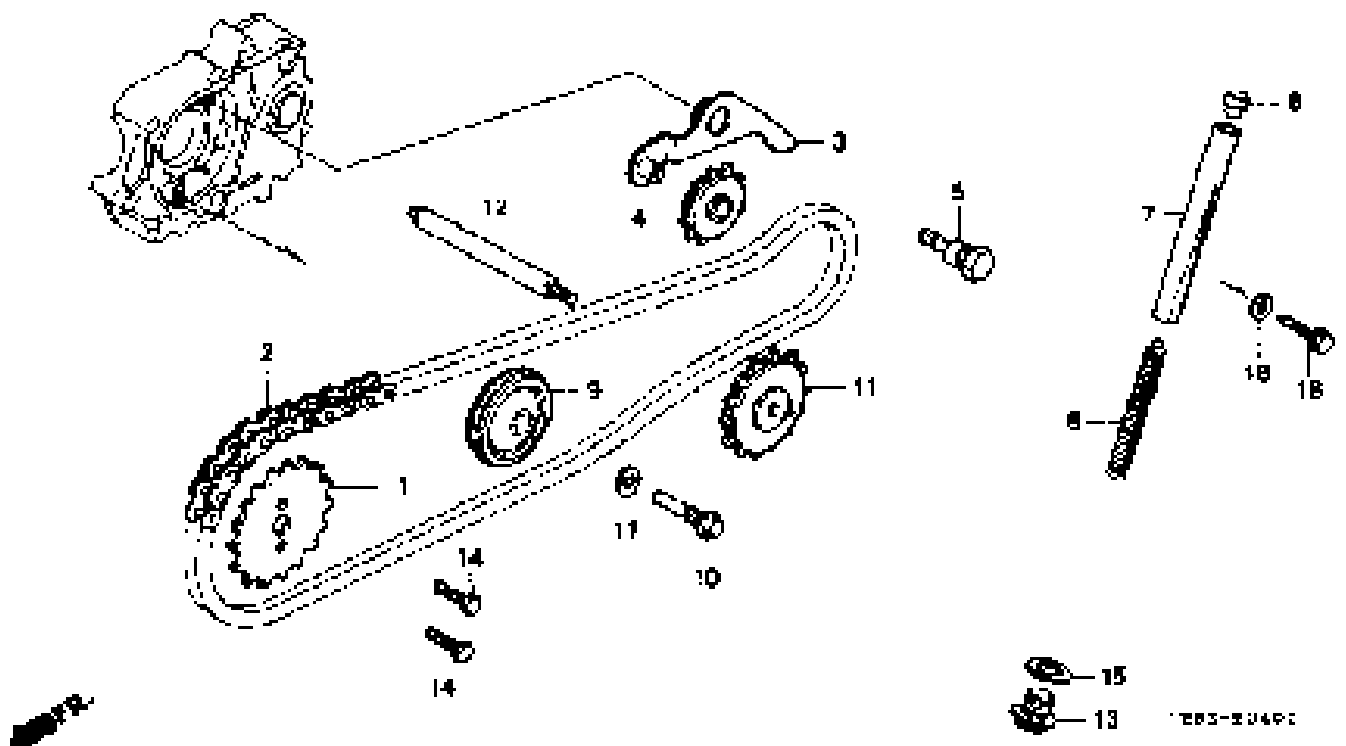
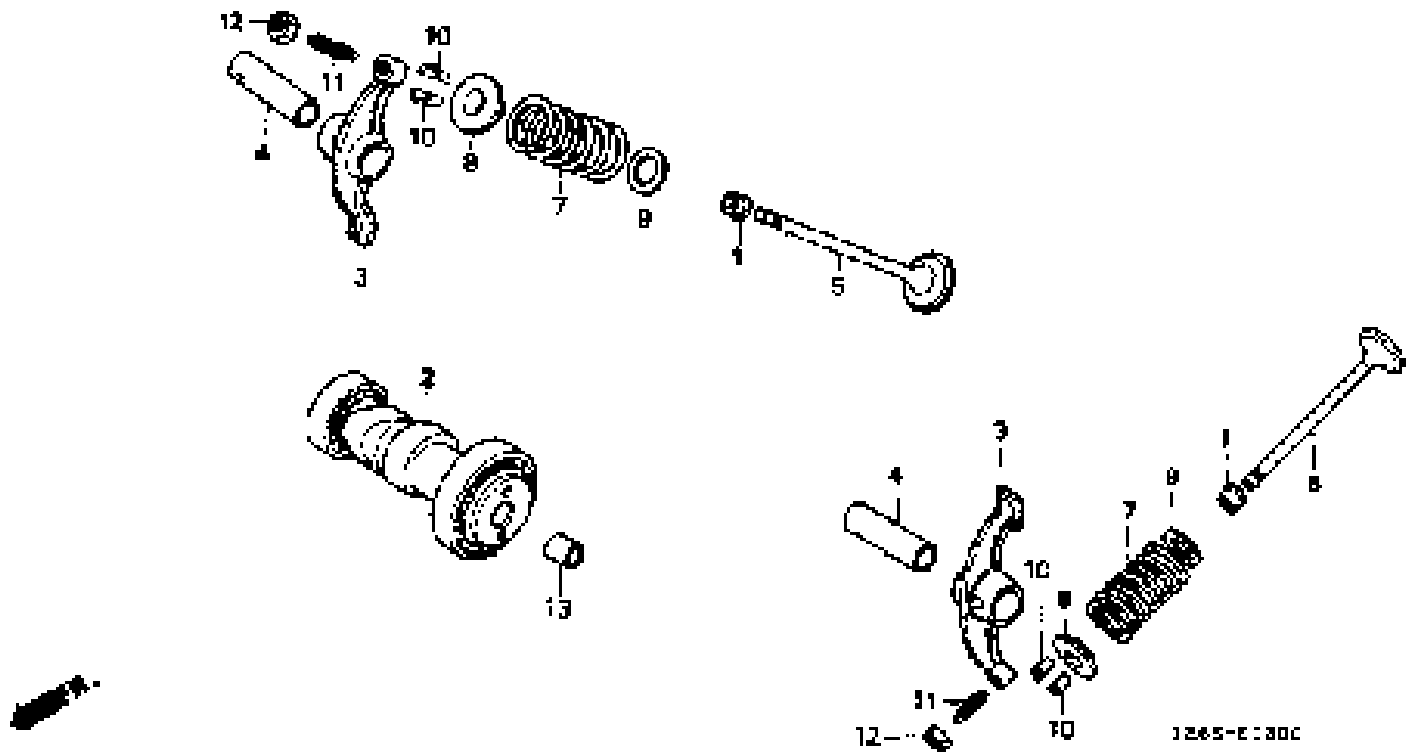
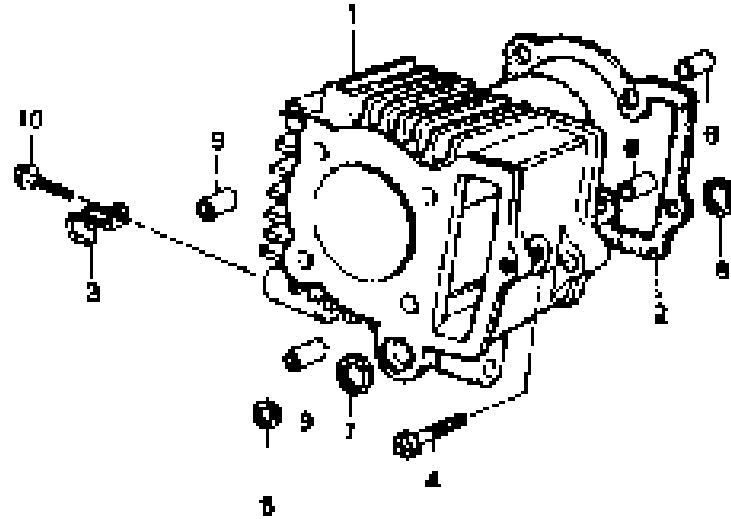




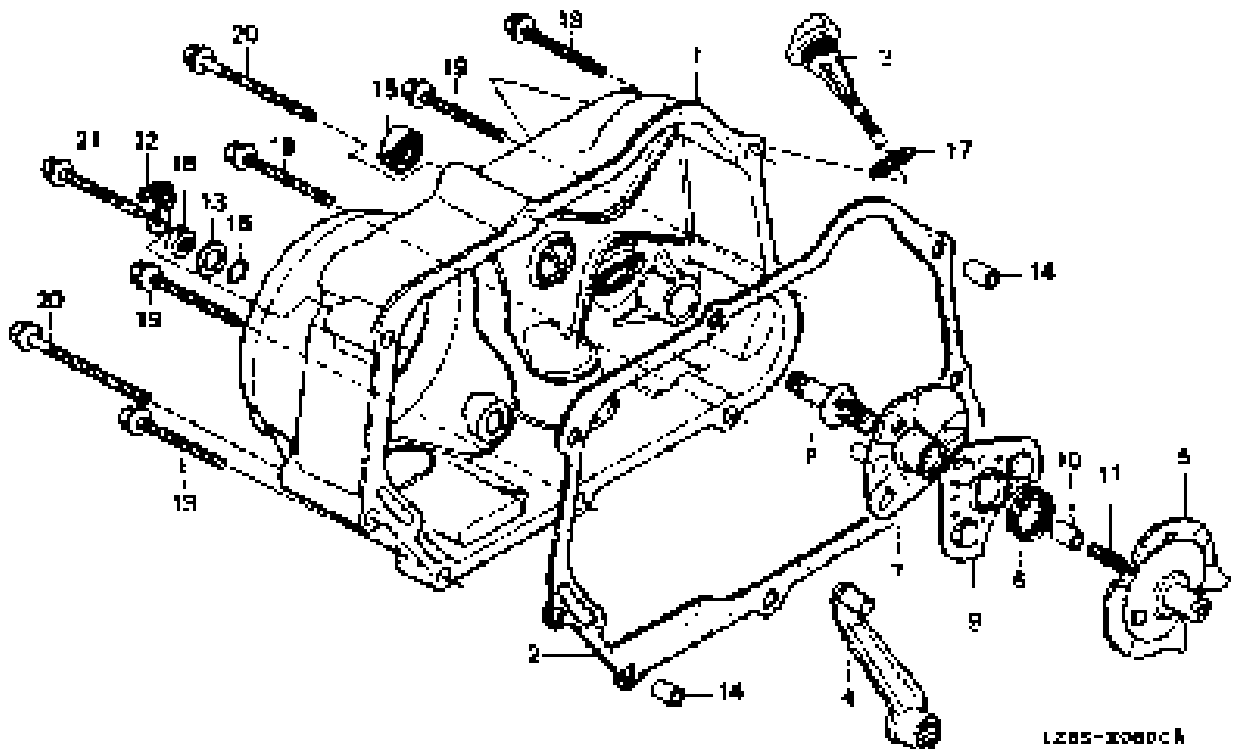
1950s Harley-Davidson motorcycle



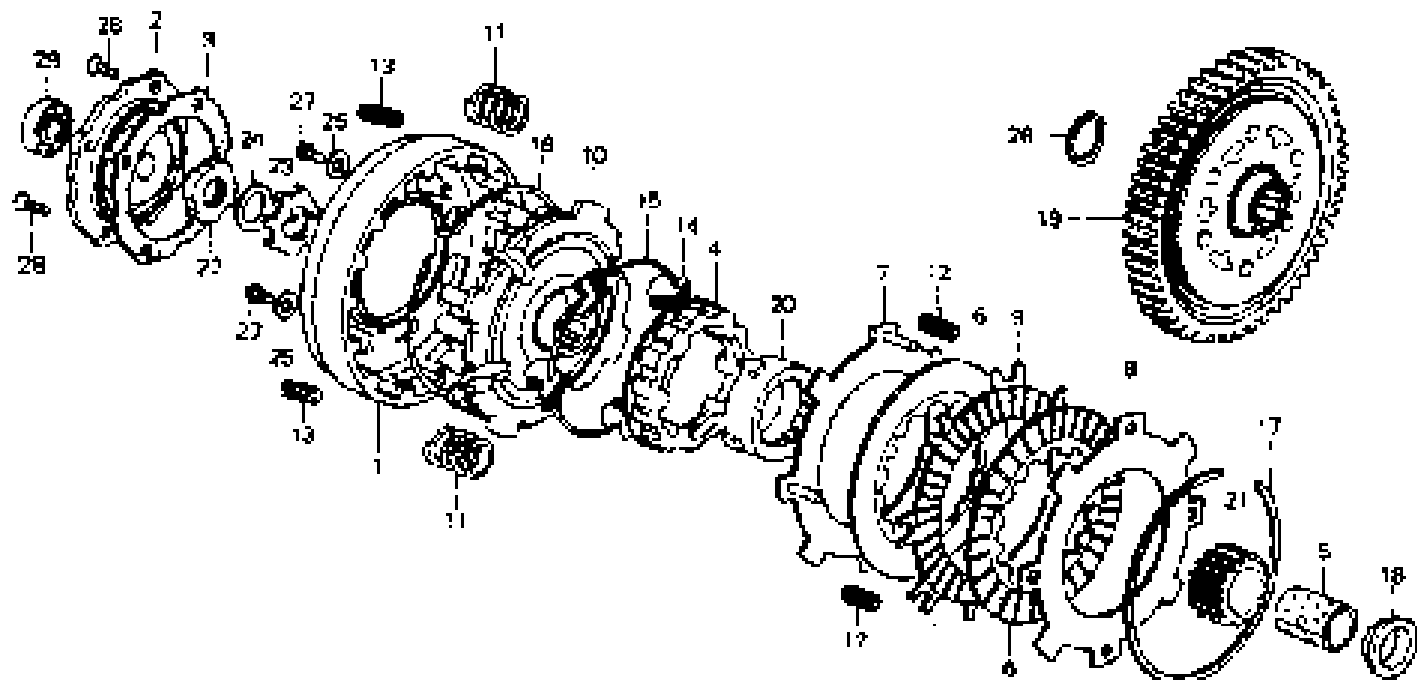




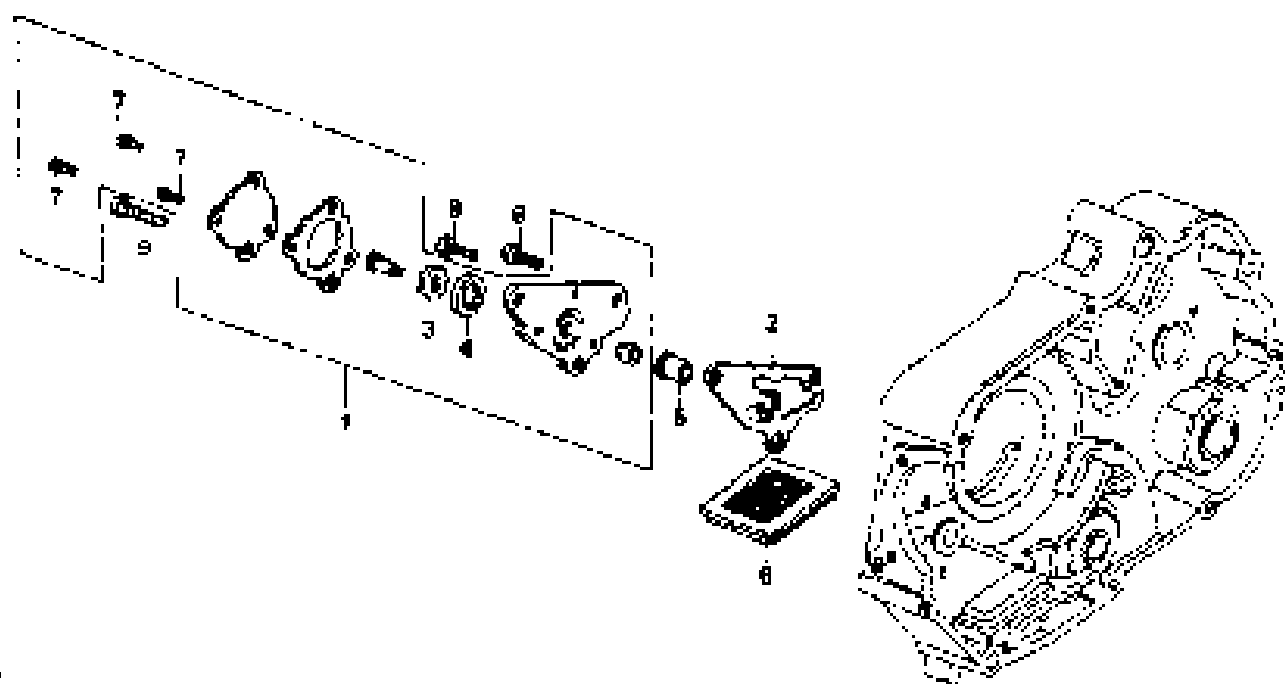
1264-K0000



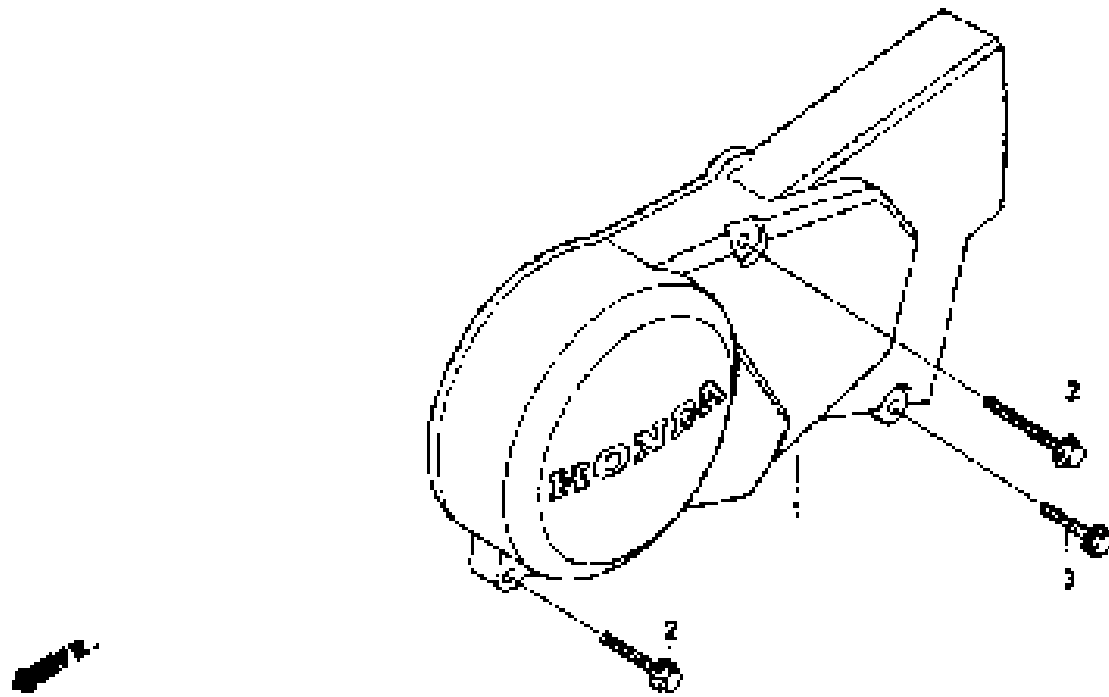
1285-K0000



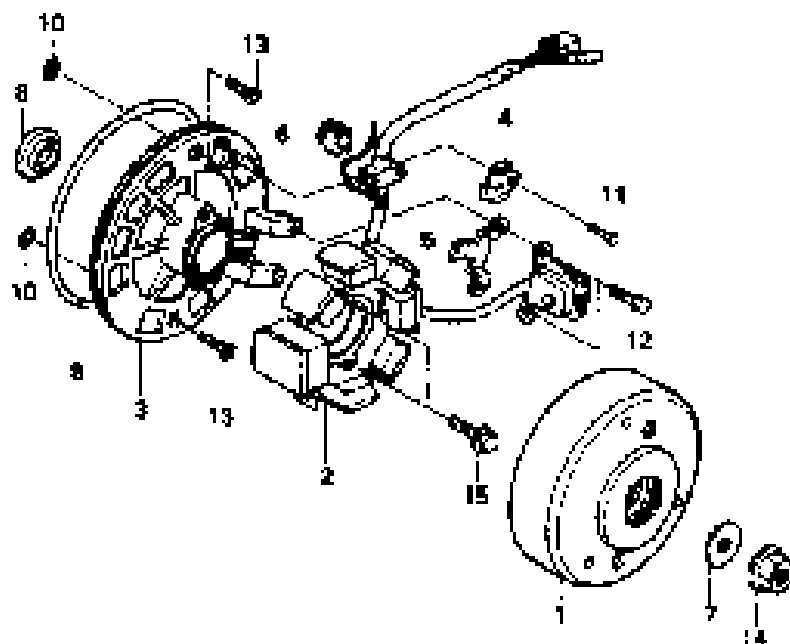
12P3-PC100



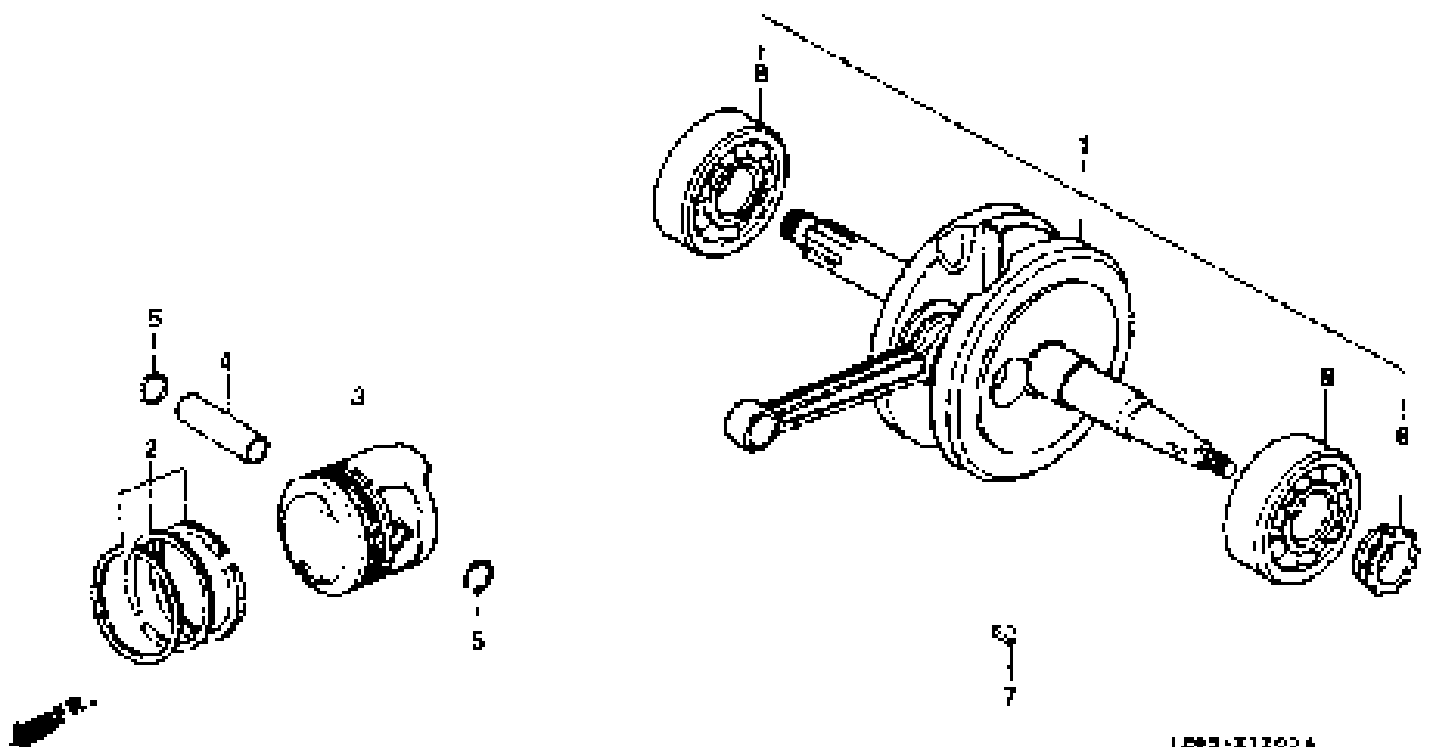
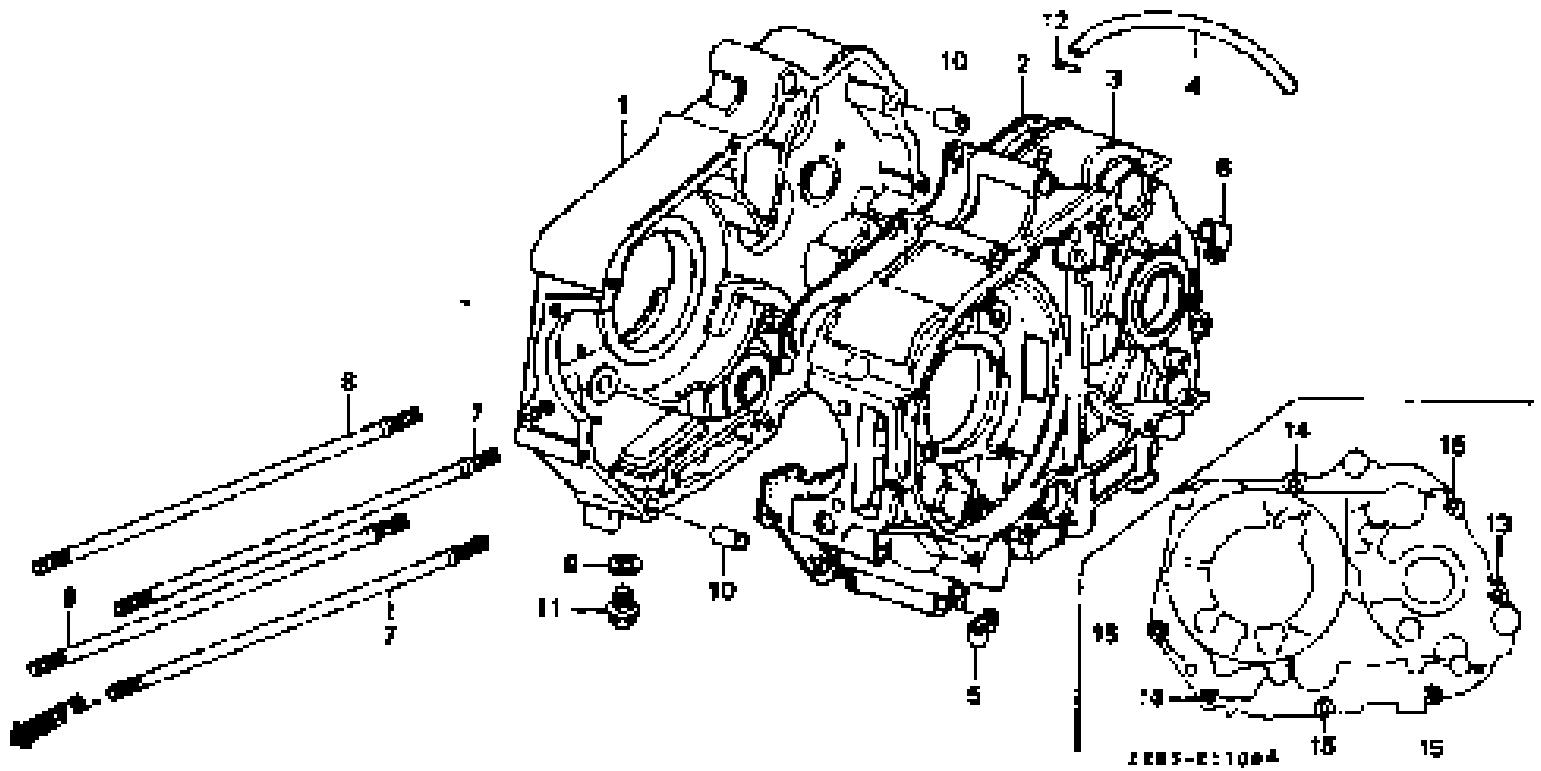
12P3-20000

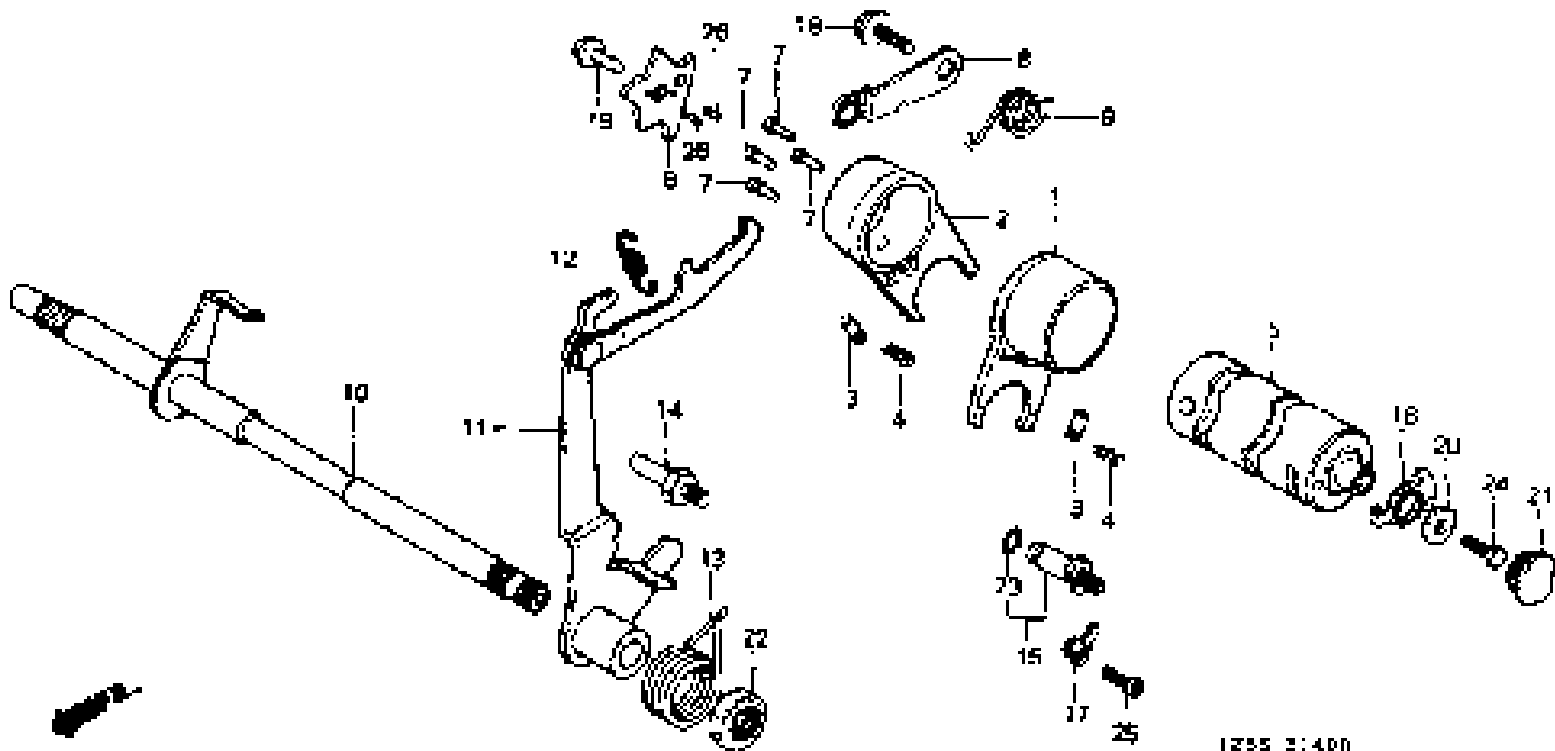
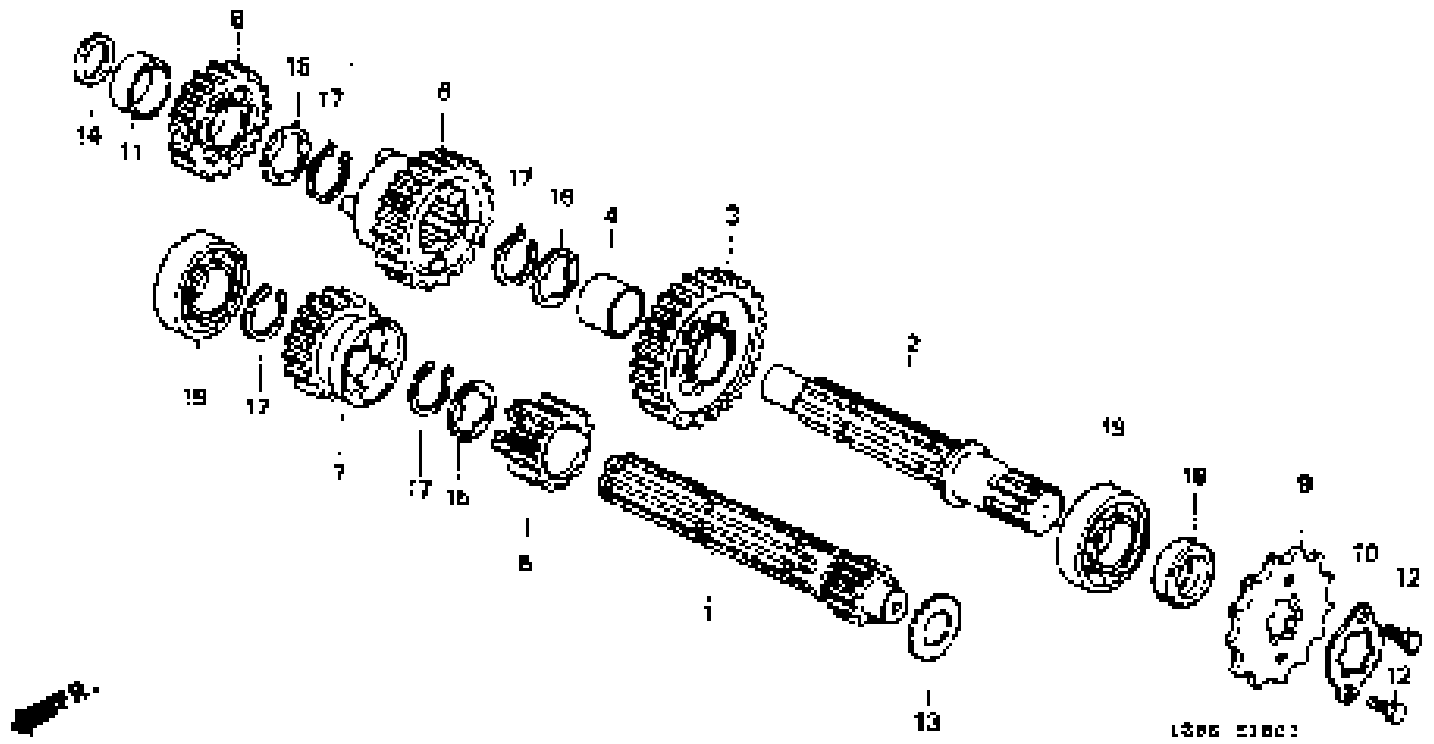


1E03-B0800

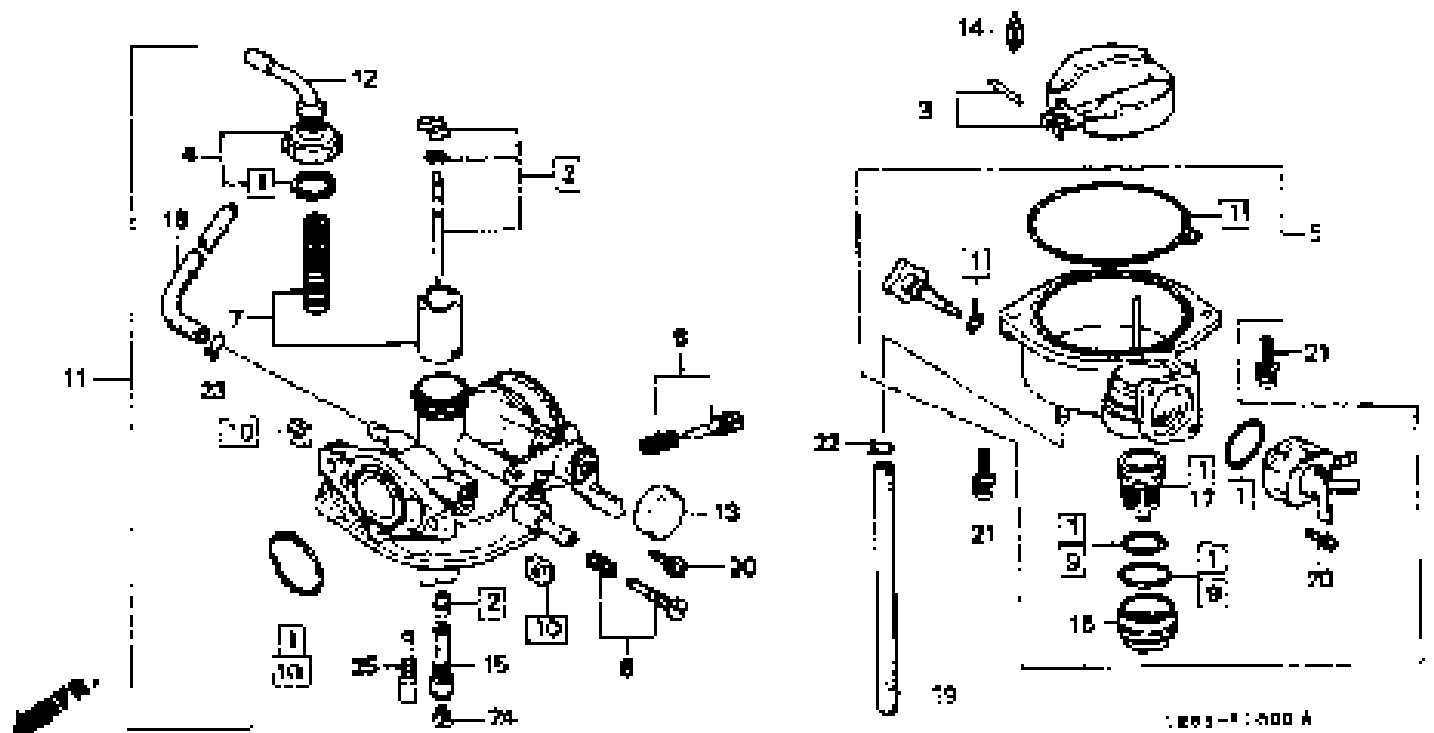
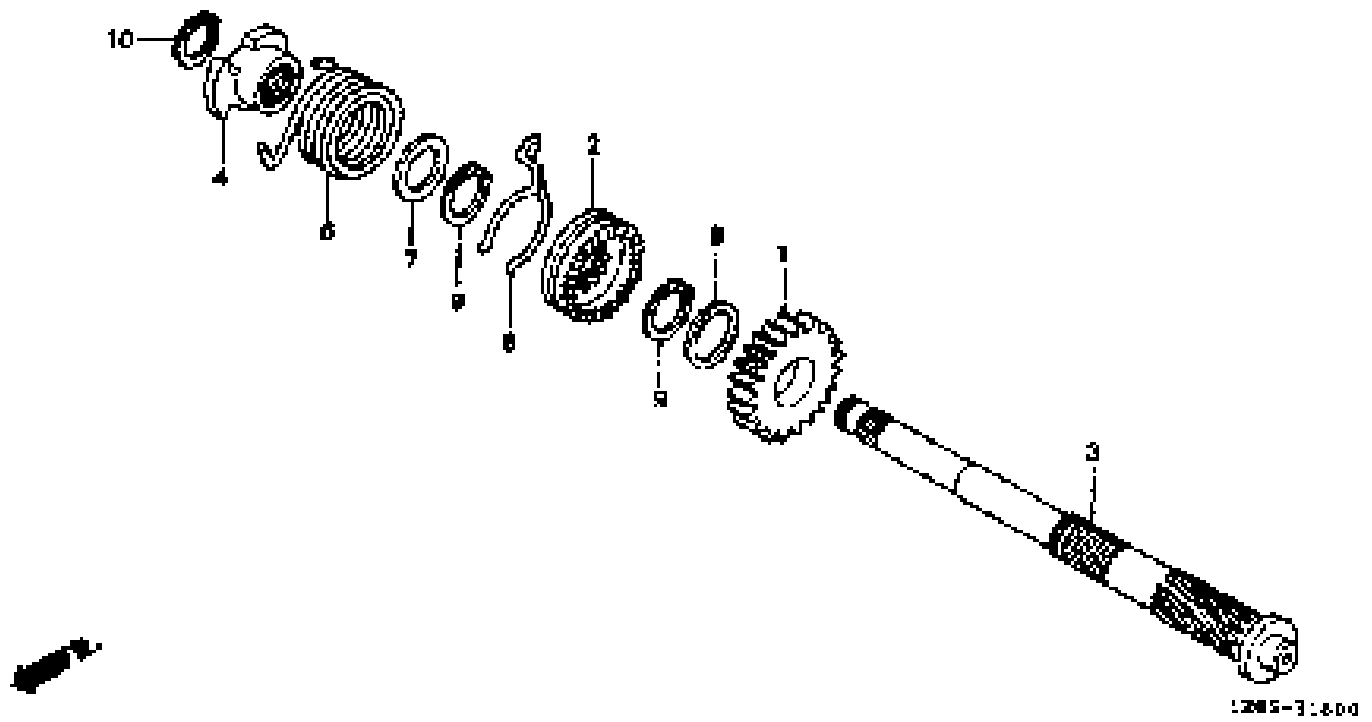


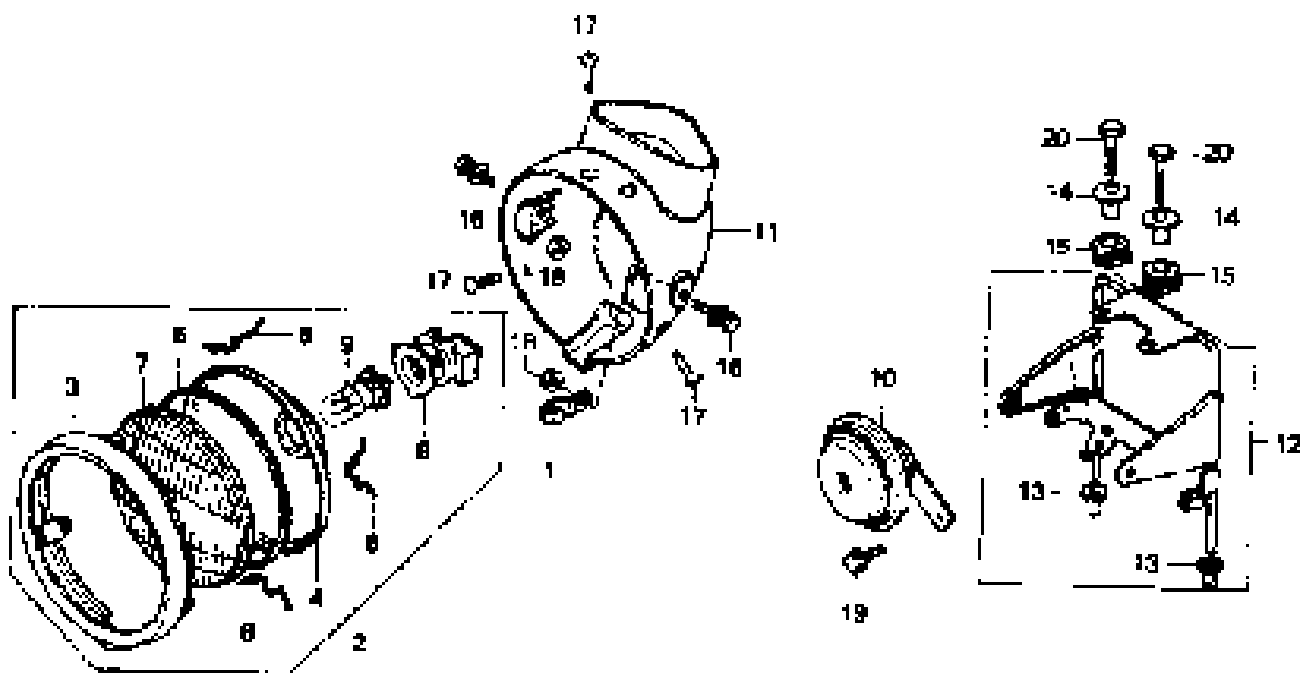
1E03-B0800



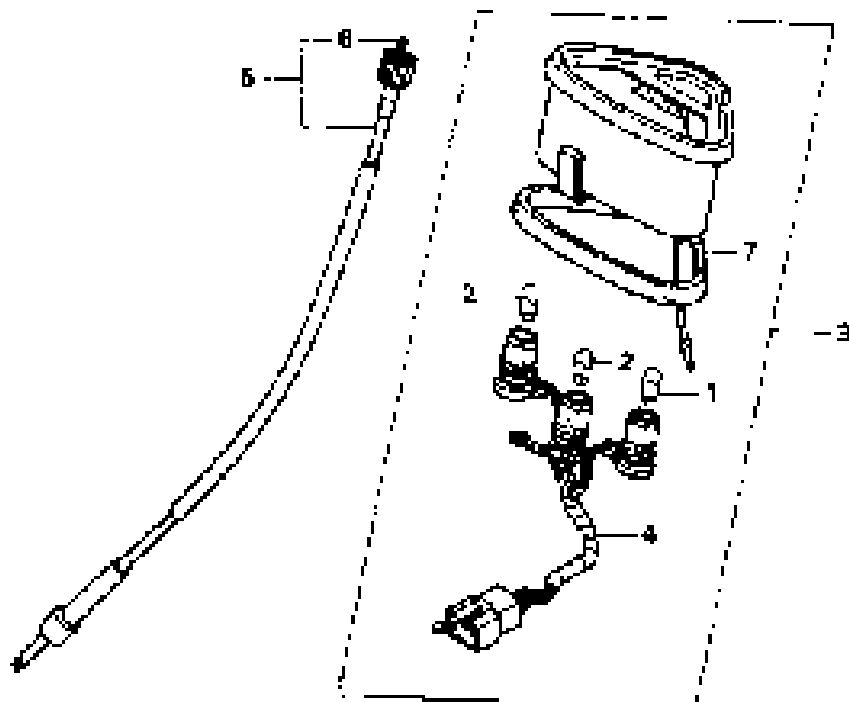




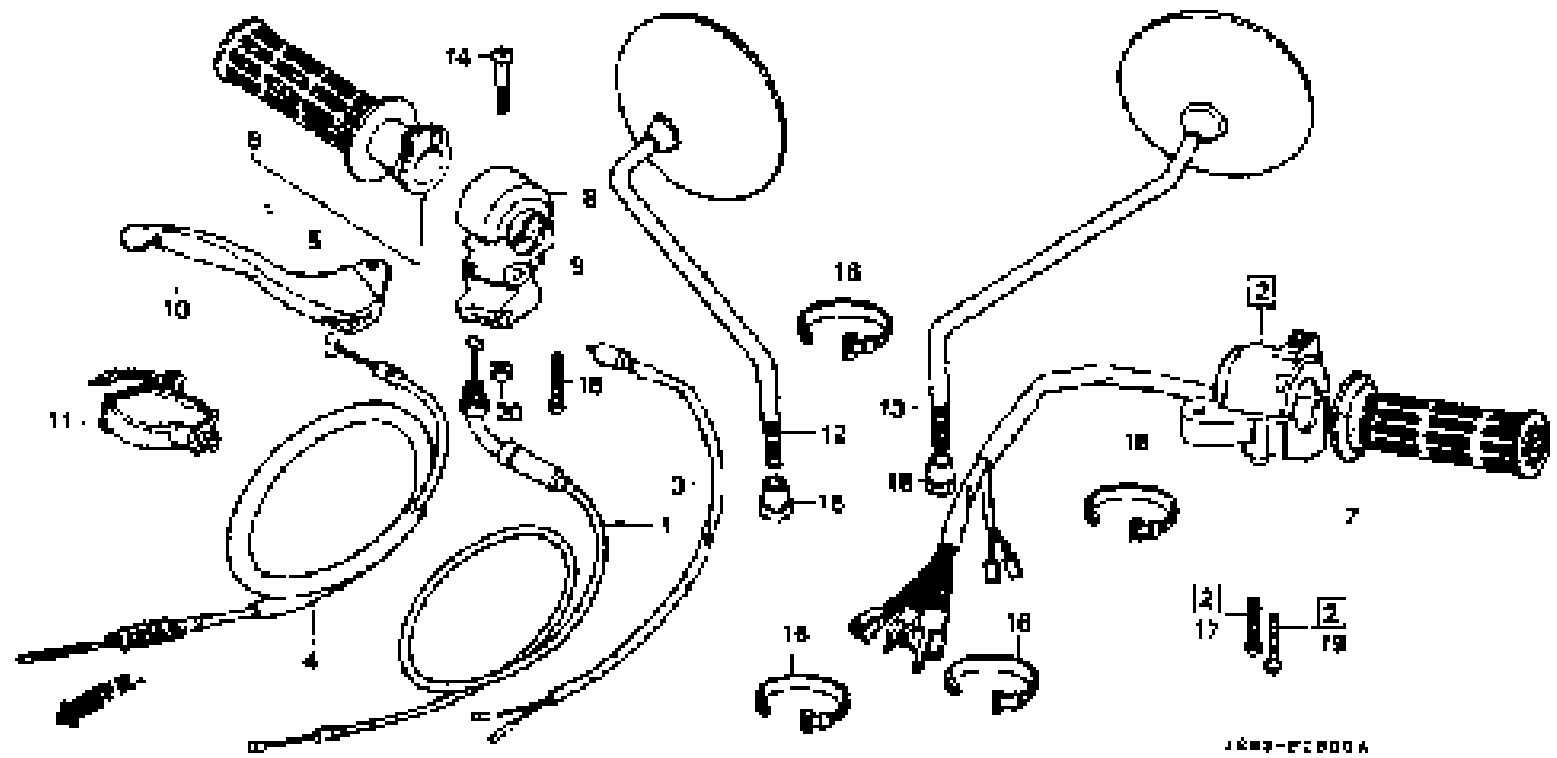




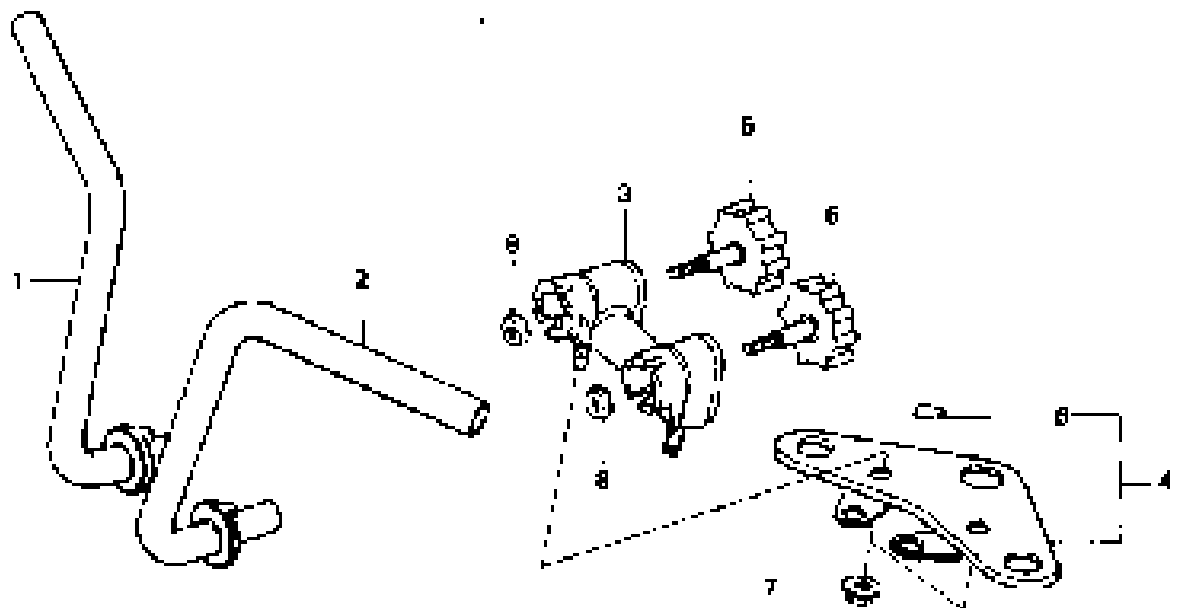
1249-75:004



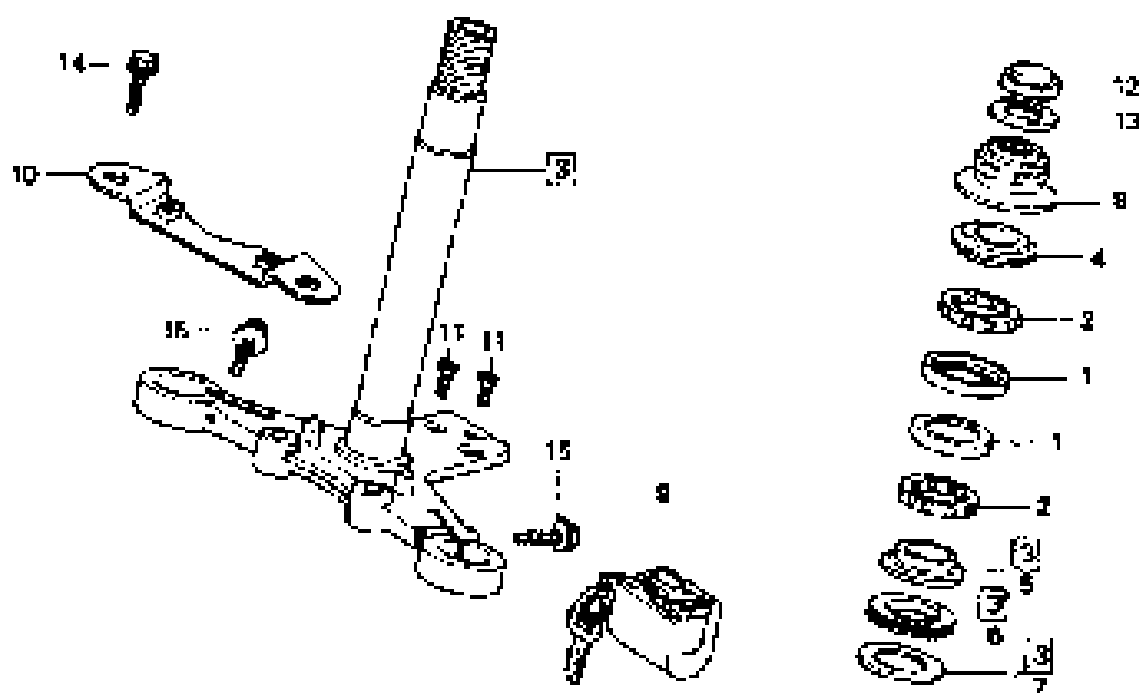
1242 01000



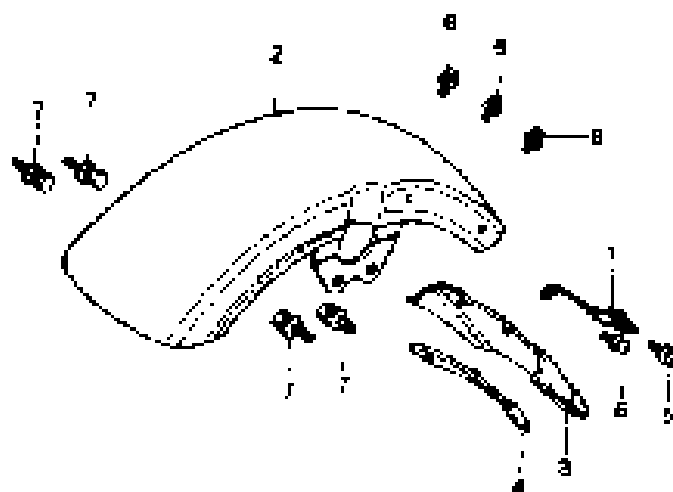
1289-F-000A



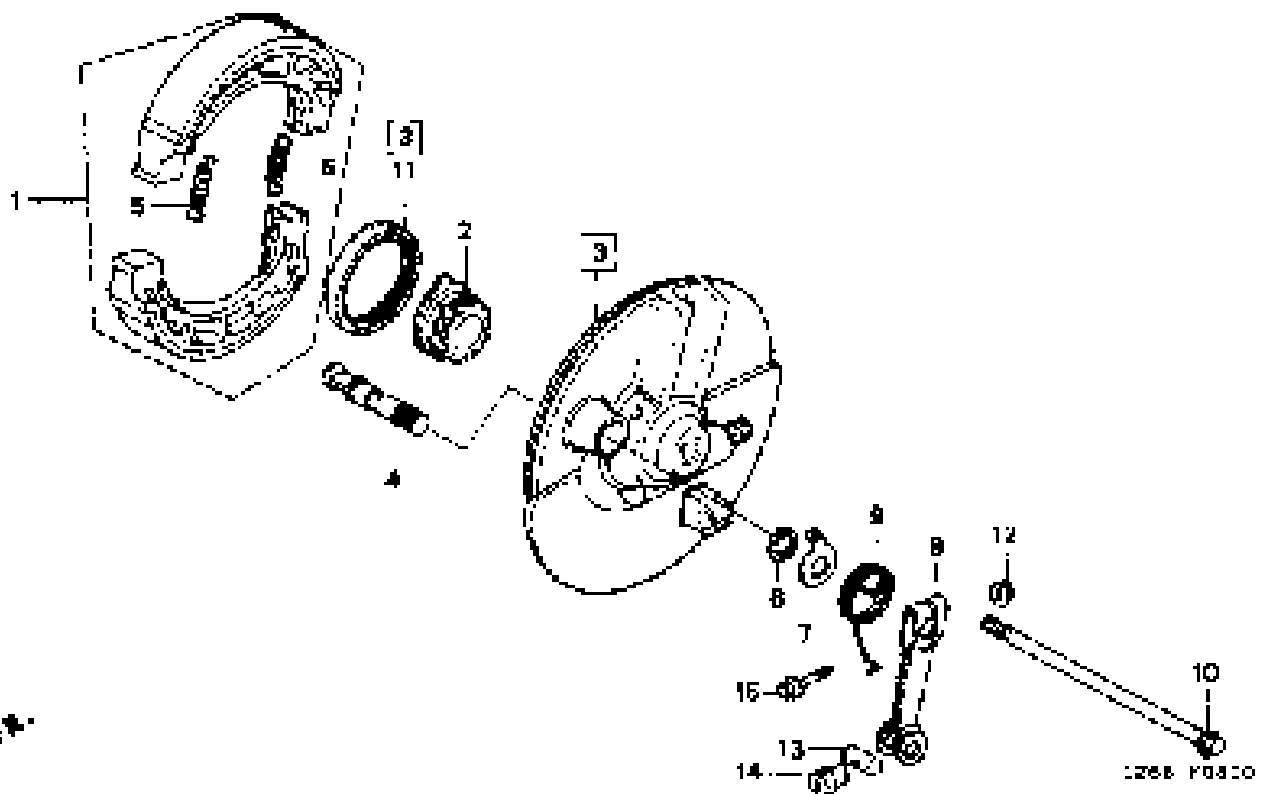
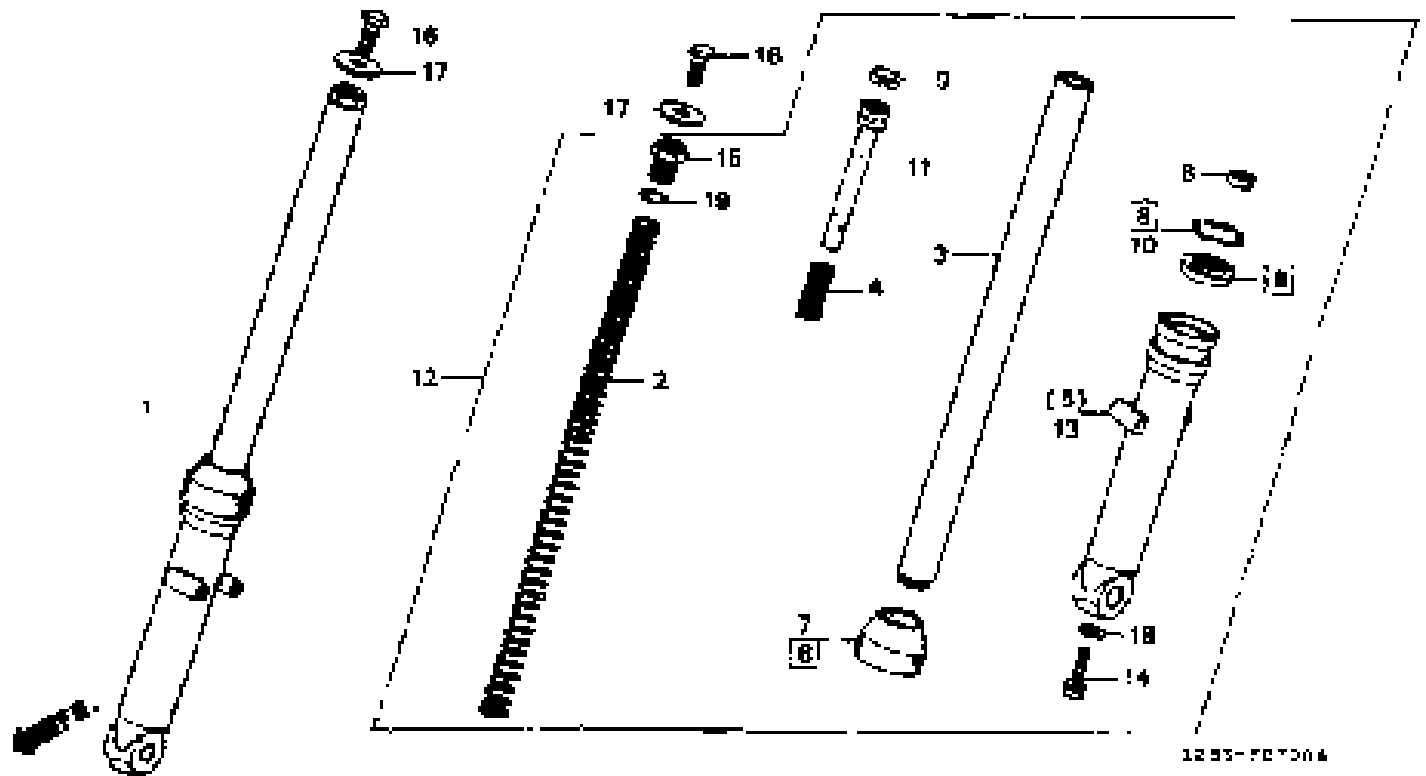
1289-F-000

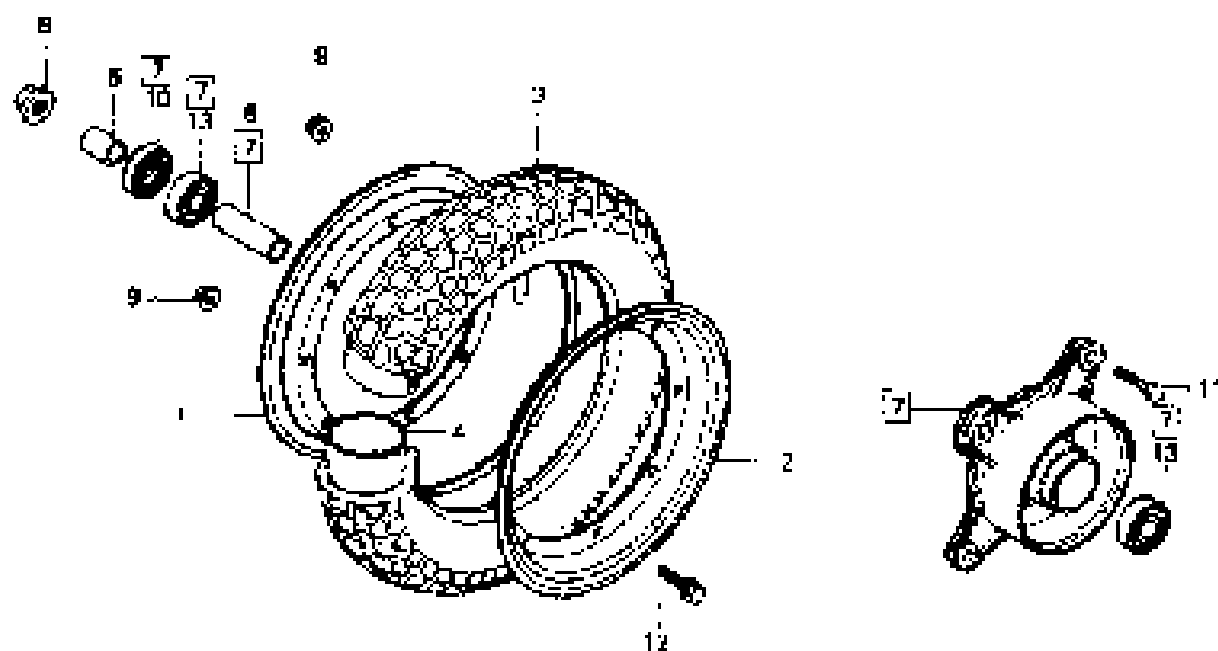


1285-PC004

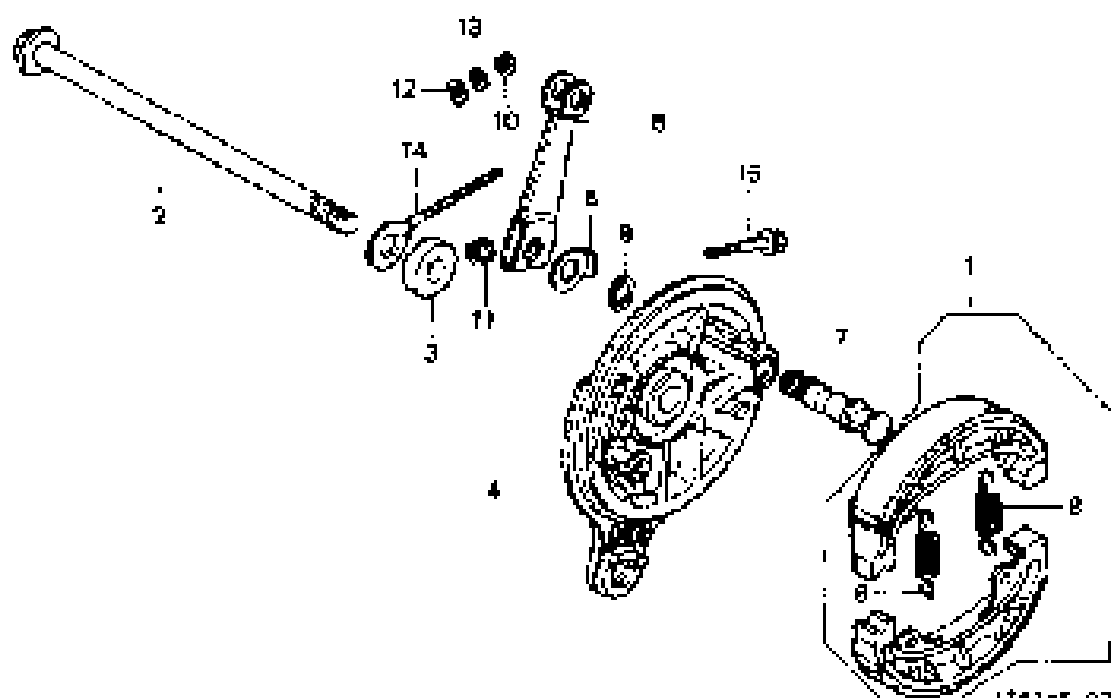


1485-PC007

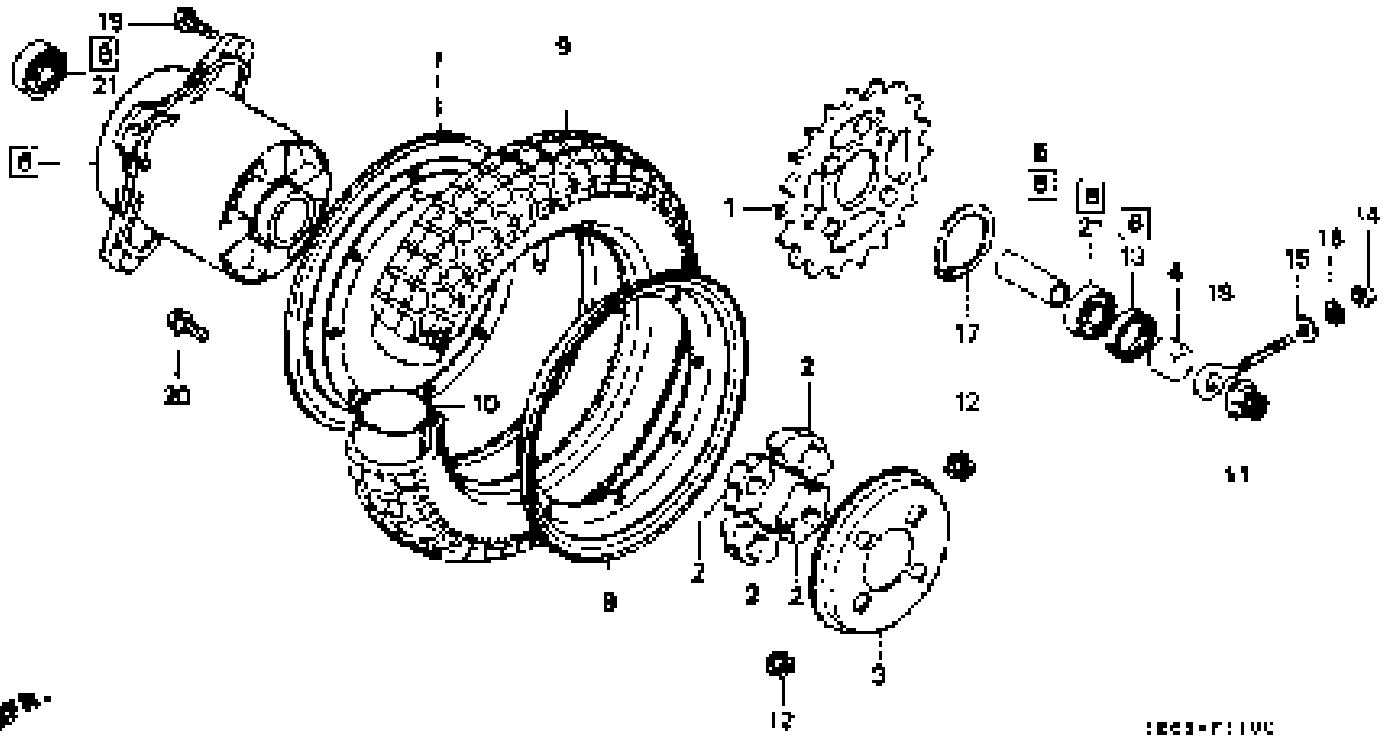




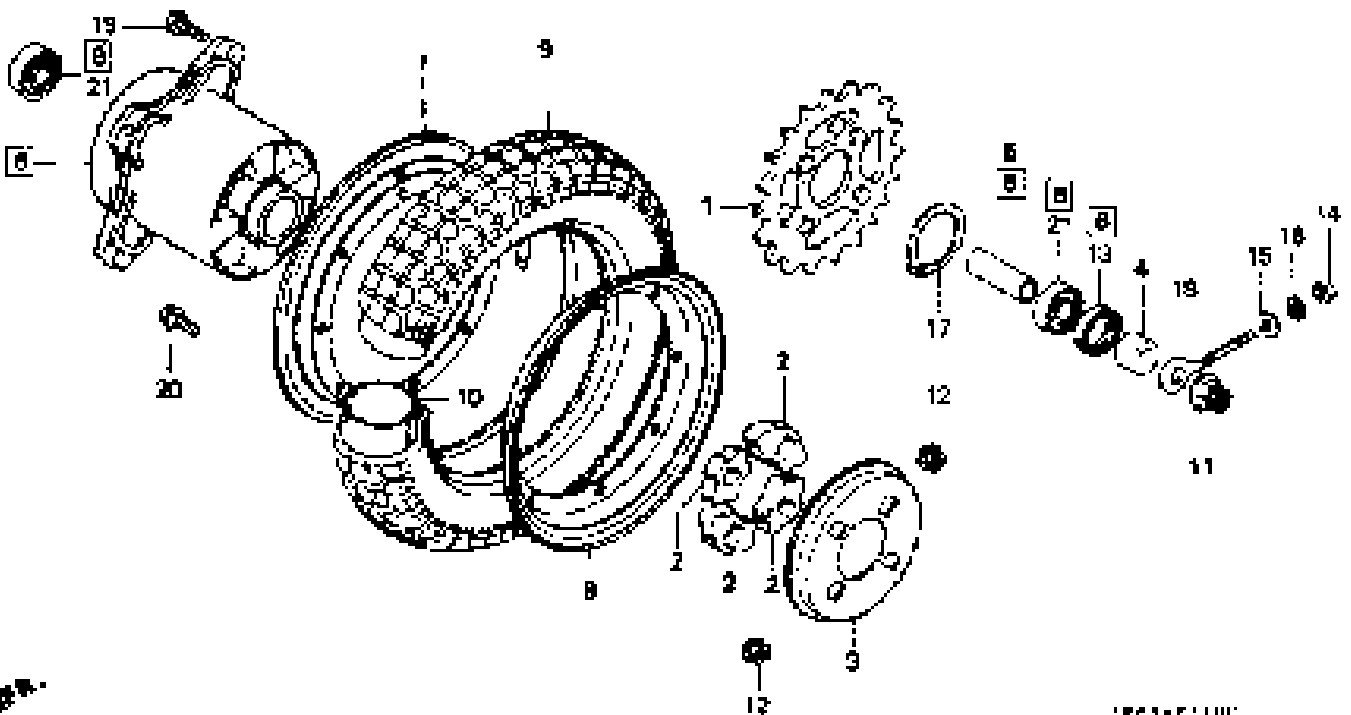
1283-F0200



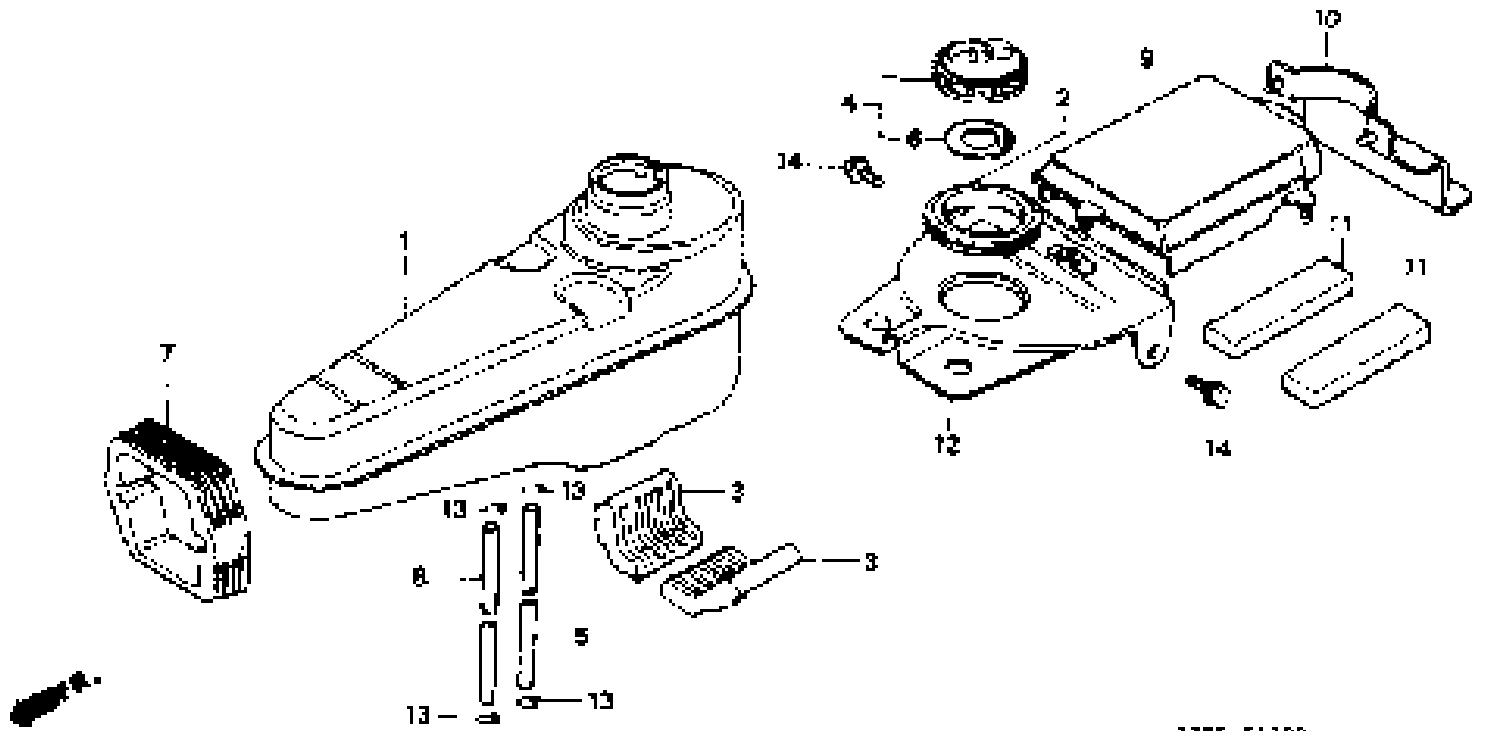
1283-F 070



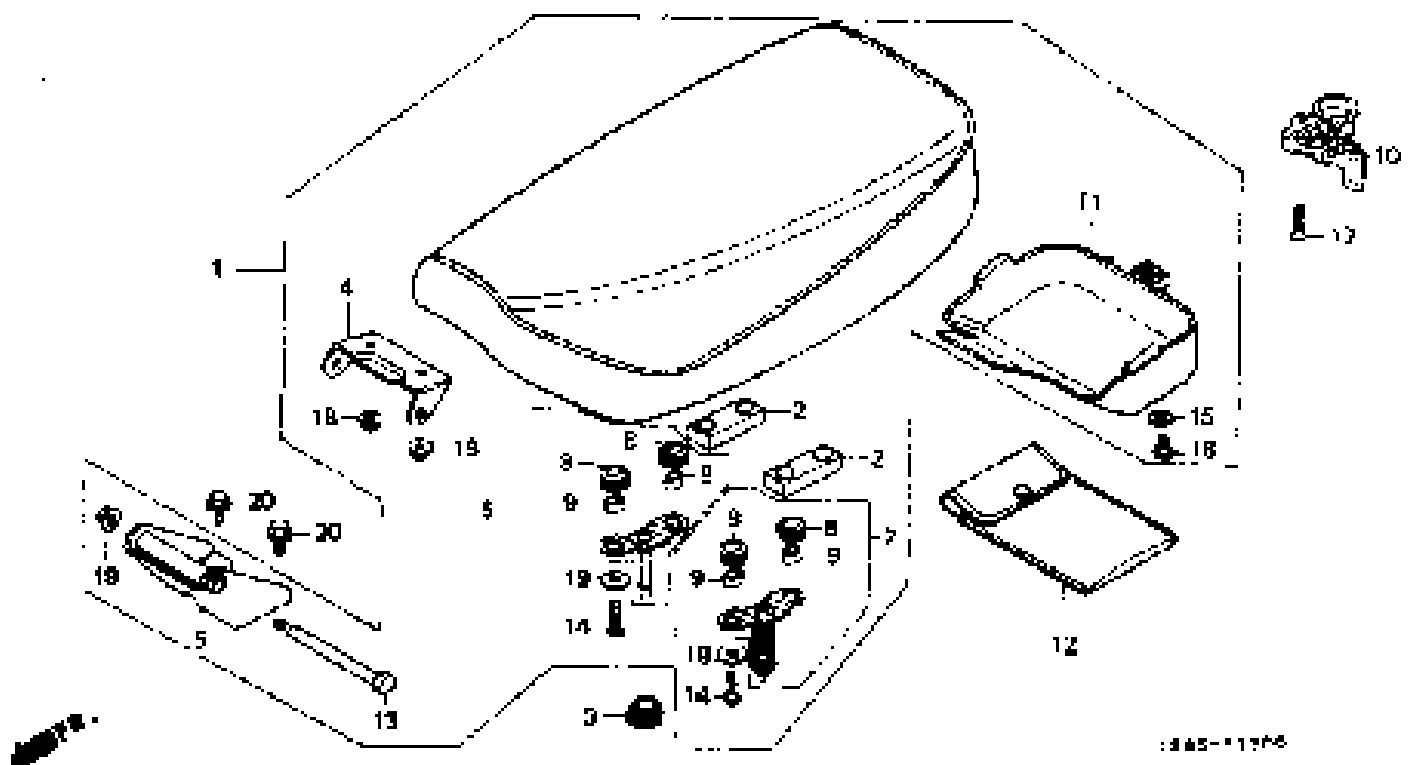
1003-F1100



1003-F1100

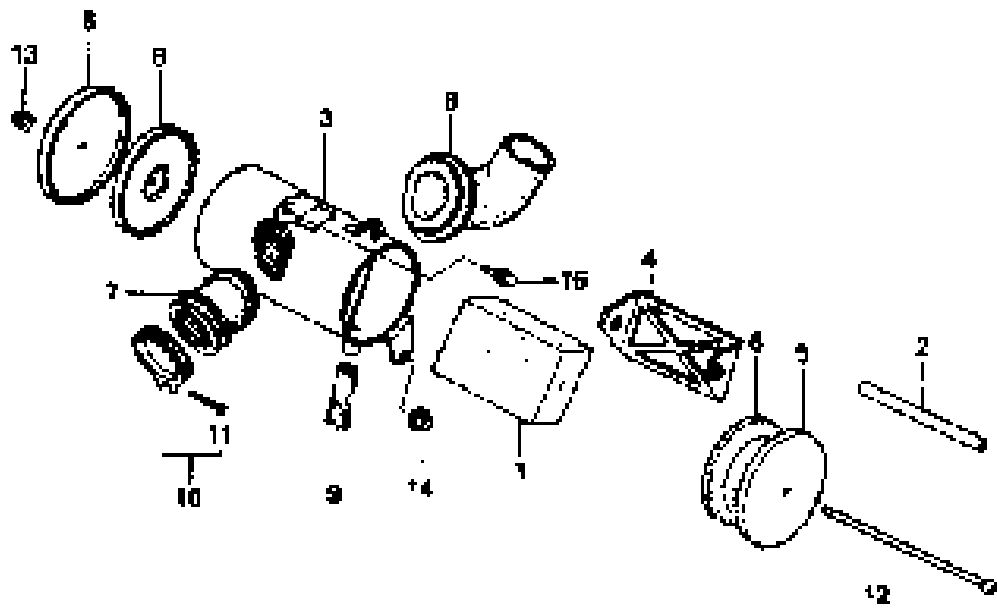


1286 F1250

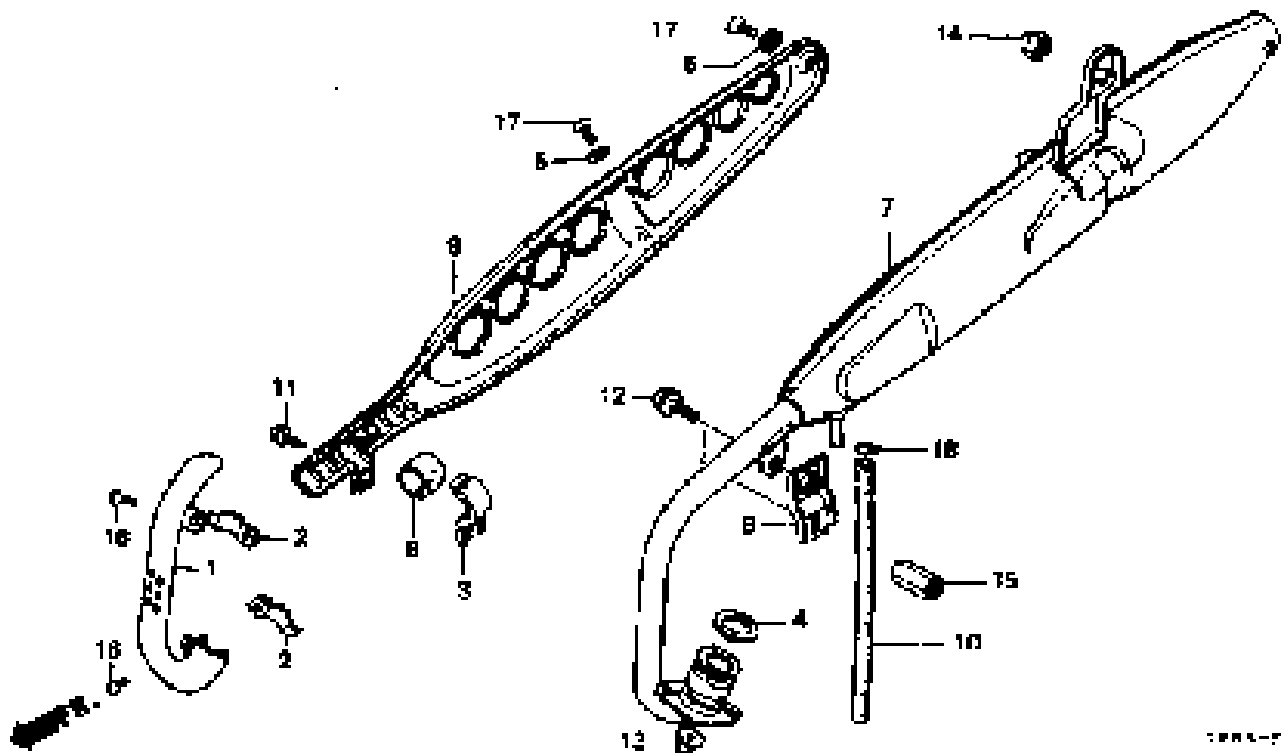


1285-11706

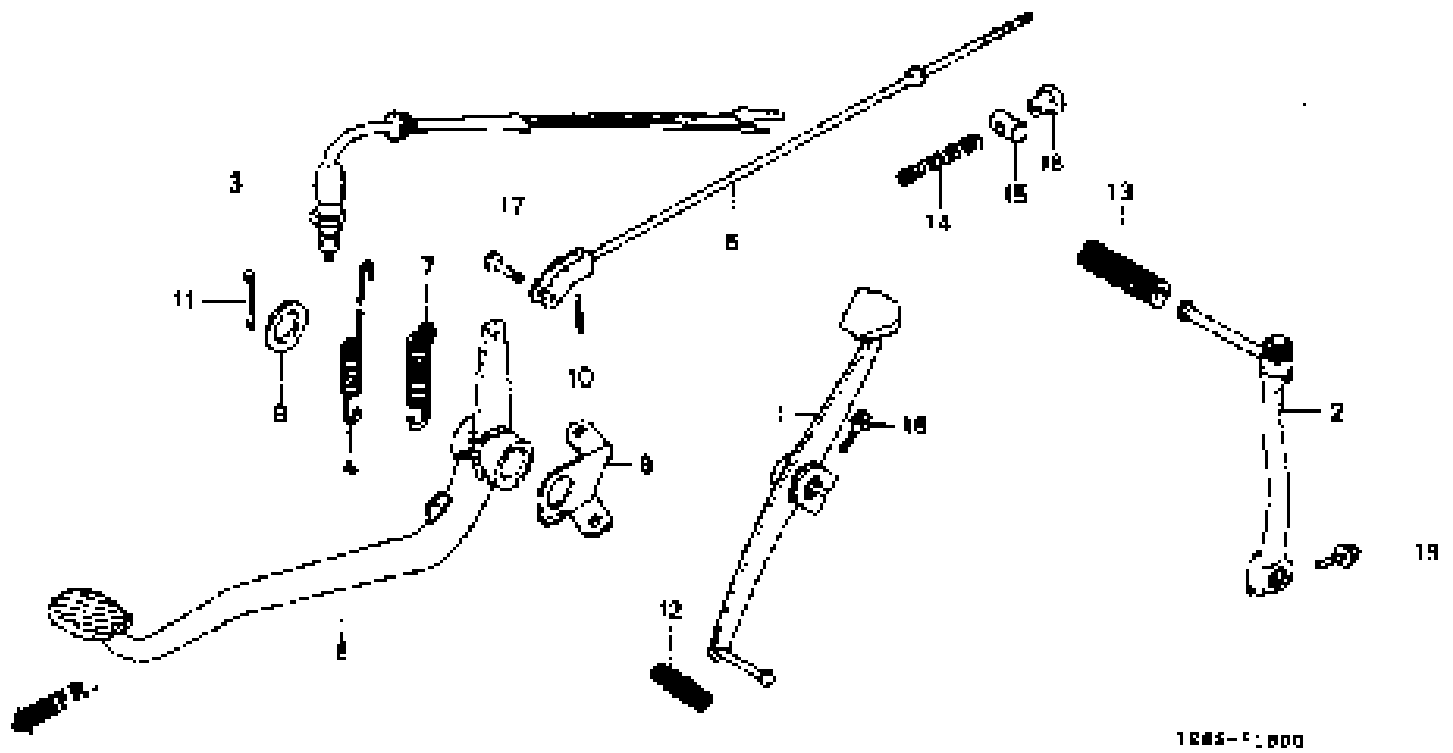




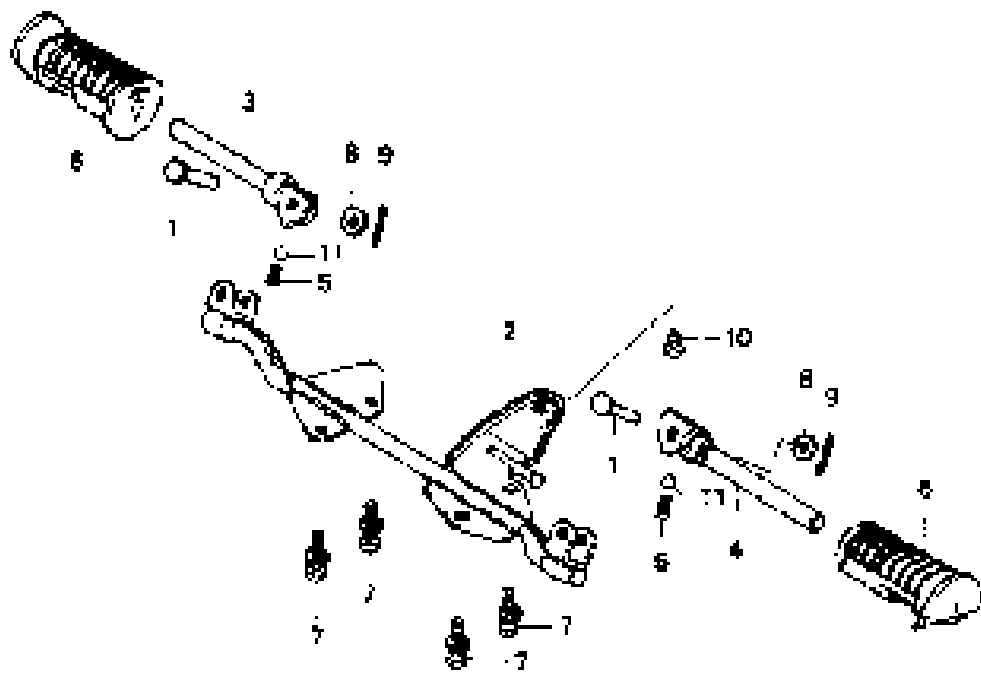
1283 F1400A



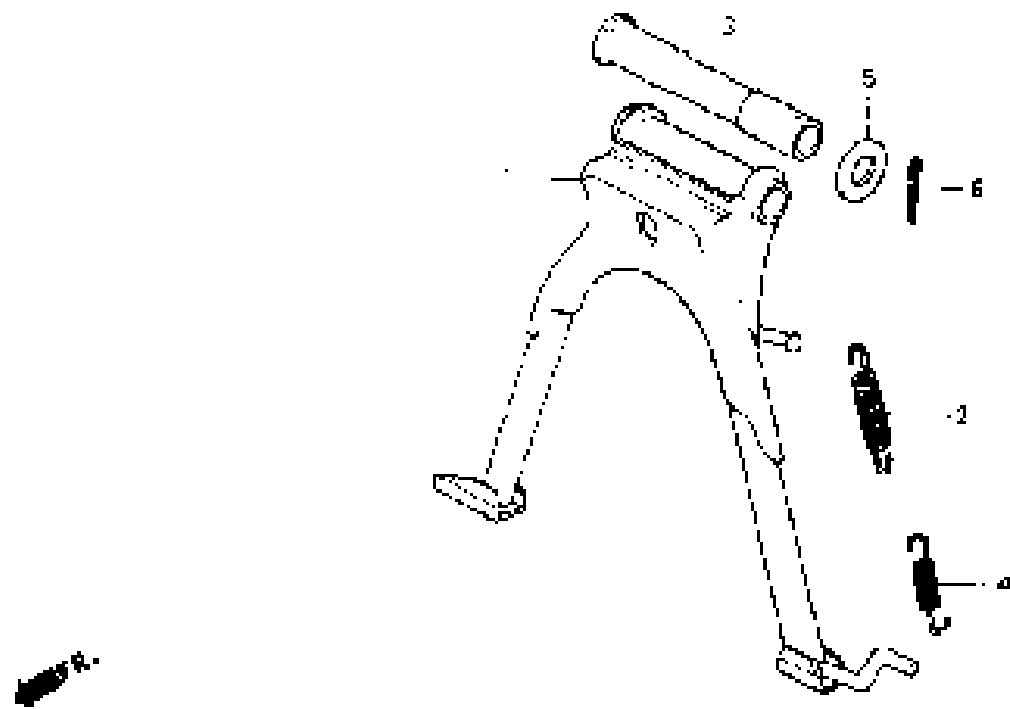
1284 F1500A



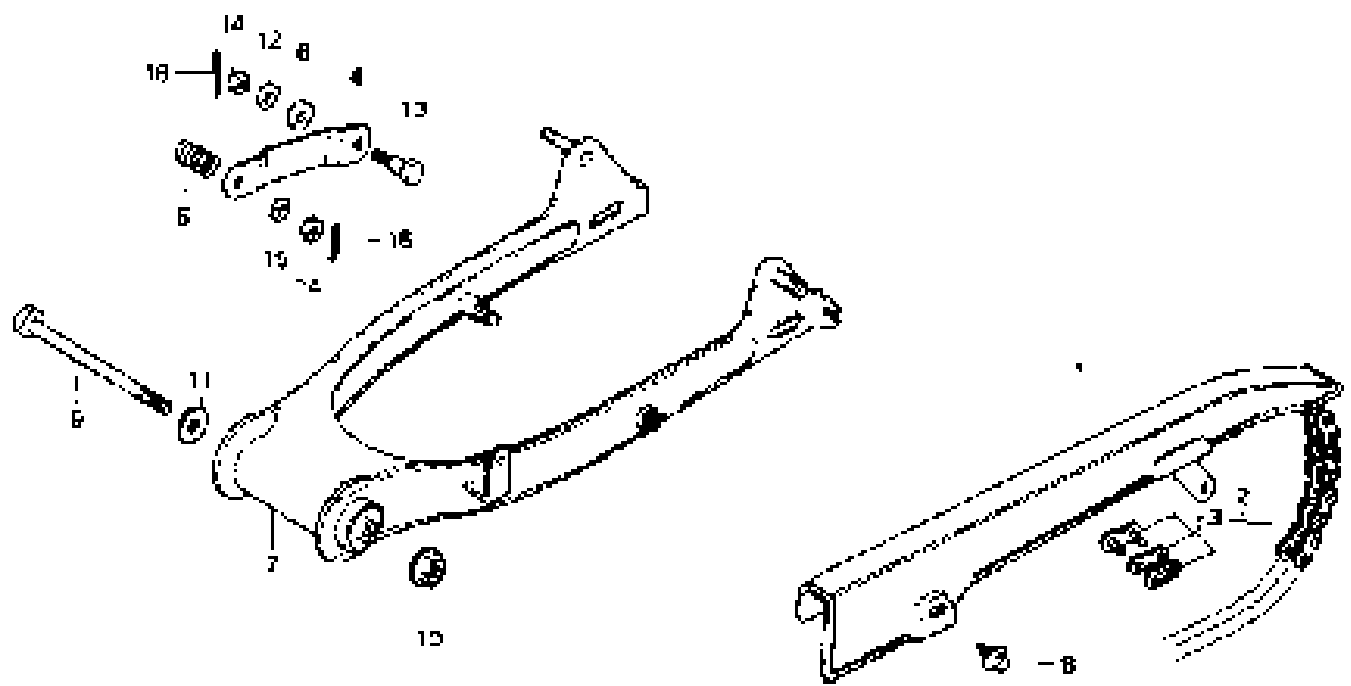
1285-F1600



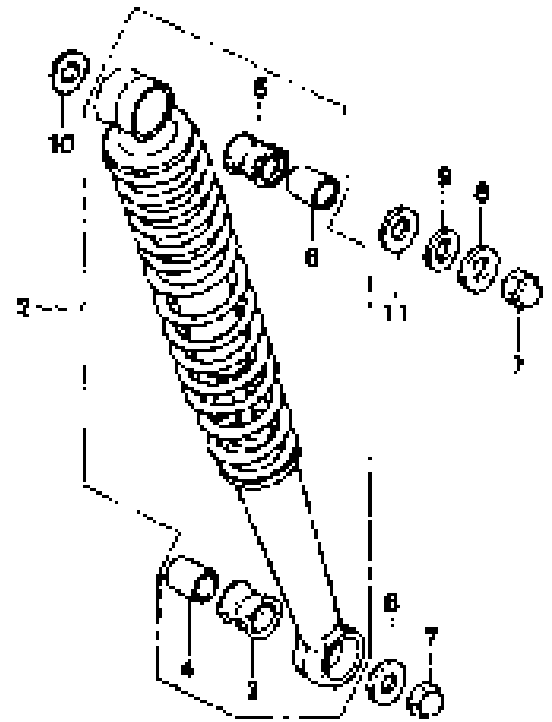
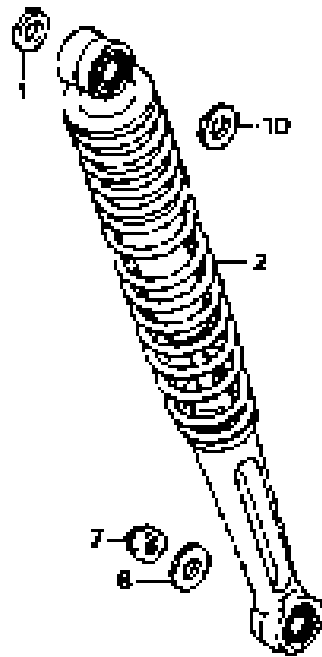
1287-T1700



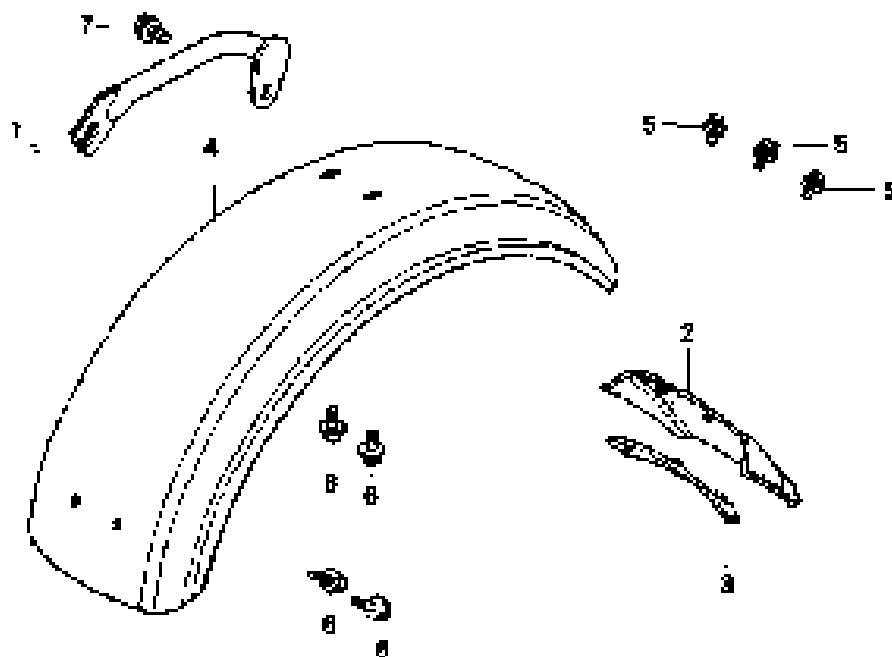
1250 P.4117



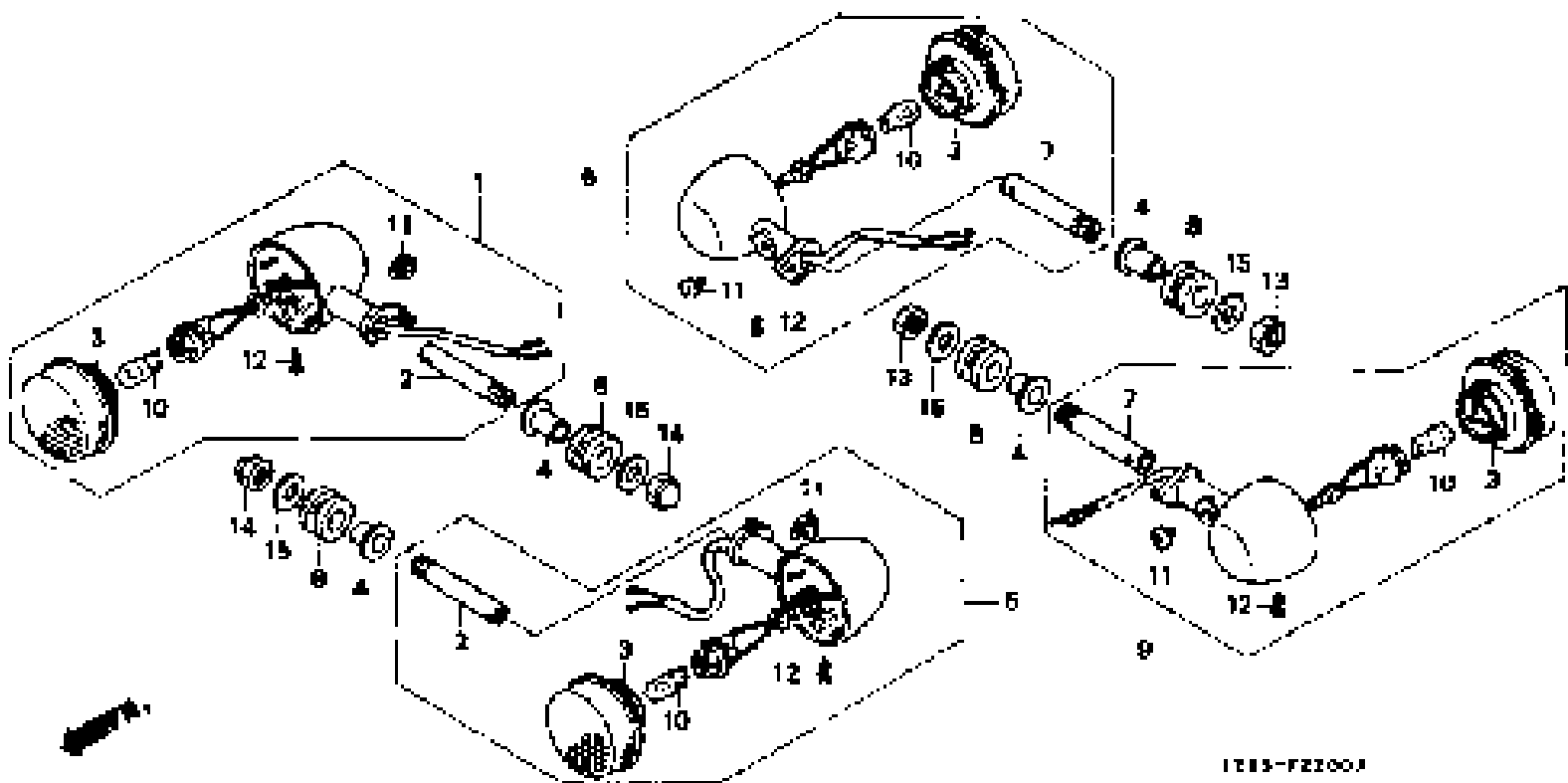
1458-21836



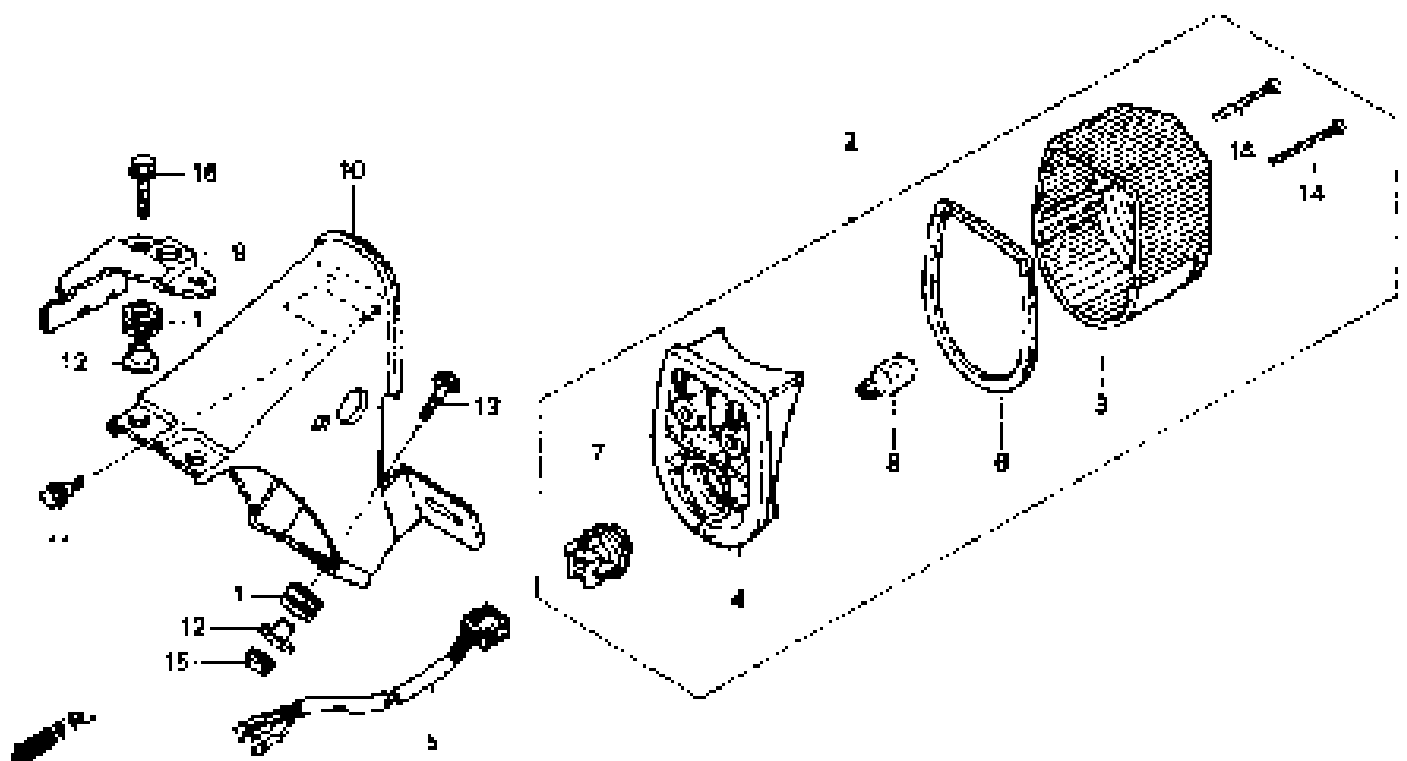
1265-FR603L



1265-FR100C



1283-FZ200J



1283-FZ200J

